

Argo 6x6
Frontier 650

Argo 6x6
Frontier 580



Argo 6x6

Frontier

PARTS MANUAL

From Serial # ...16916

Foreword

ODG has prepared this parts manual for the FRONTIER model to assist both qualified mechanics and vehicle owners in ordering correct, quality replacement ARGO parts. For the most current parts manual visit our website at www.argoatv.com.

Proper and regular service, and replacing old, worn or broken parts with the correct ARGO replacement parts, are both essential to prolonging the life of the ARGO. Please refer to this parts manual and/or our website www.argoatv.com before ordering any replacement part.

All information contained in this FRONTIER Parts Manual is based on the latest product specification available at time of printing. If your FRONTIER differs from the specifications contained in this manual, check our website www.argoatv.com for the most current information.

ODG reserves the right to alter specifications on the FRONTIER model at any time, without obligation or prior notification.

Reproduction of this FRONTIER Parts Manual, in whole or in part, is prohibited without prior written permission from Ontario Drive & Gear Limited.

Vehicle Identification

FRONTIER - Serial Nos. ...16916

Explanation of Parts Manual Format

- Ref** - Reference number between assembly diagram and component parts list
- Part No.** - Argo replacement part number for identification and re-ordering
- Description** - Part description for identification and re-ordering
- Qty** - Indicates the quantity of a part used in an assembly

Argo 6x6
Frontier 650

Argo 6x6
Frontier 580

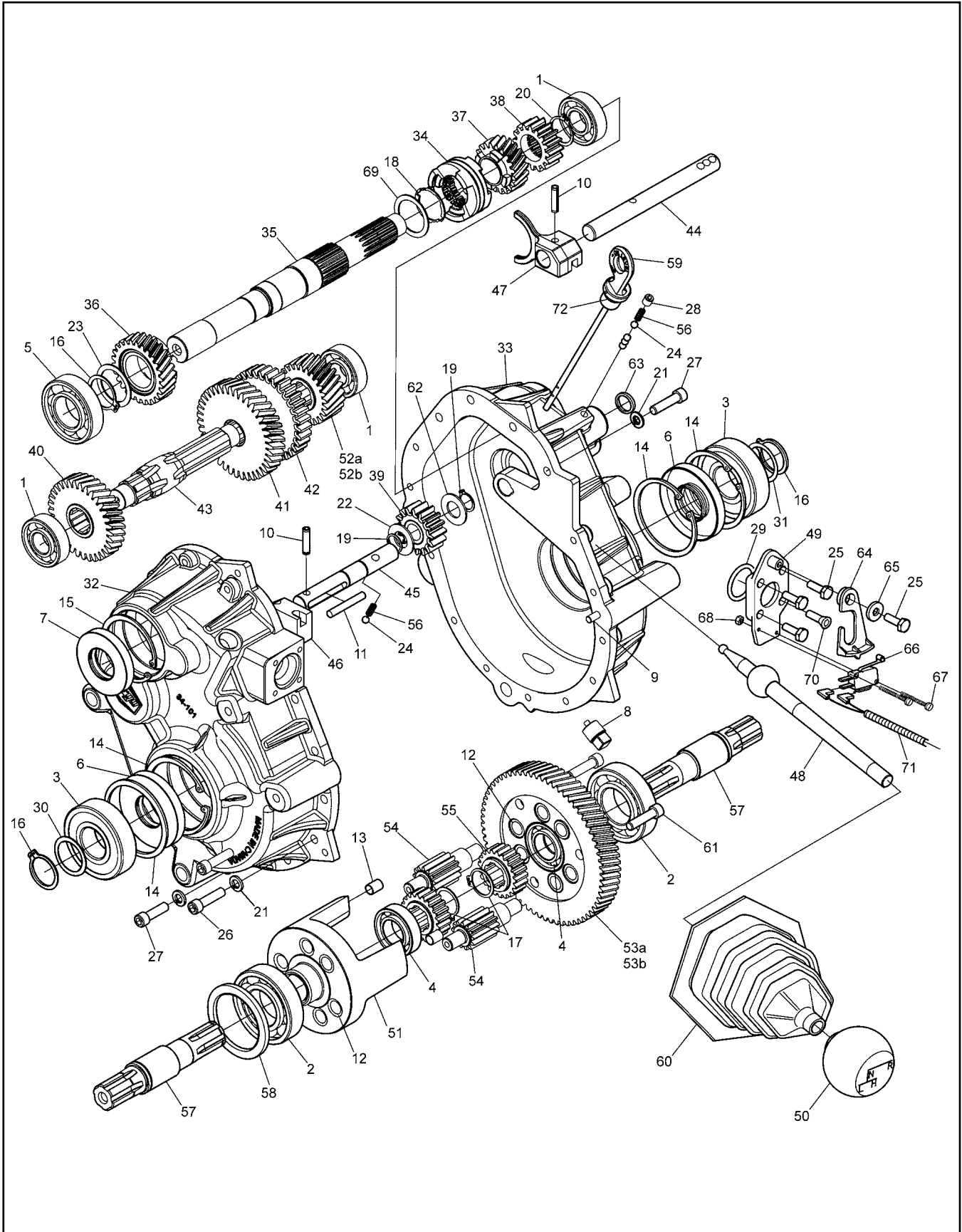


Using the Parts Manual

1. Find the major vehicle assembly in the Table of Contents on this page, and turn to that section.
2. Locate the part in the illustration that you wish to order.
3. Refer to the parts list in that section.
4. Find the correct part number (Part No.), part description (Description) and correct quantity (Qty).
5. Use *only* this information to order ARGO replacement parts. **DO NOT** attempt to order a replacement part by reference number or page number.

Table of Contents

| | |
|---------------------------------------|----|
| Foreword | i |
| Vehicle Identification..... | i |
| Using the Parts Manual | ii |
| 1.0 Transmission | 1 |
| 2.0 Intake and Exhaust System..... | 3 |
| 3.0 Clutch System | 5 |
| 4.0 Power Pack Assembly | 7 |
| 5.0 Steering & Brake System | 9 |
| 6.0 Parking Brake | 11 |
| 7.0 Vehicle Body & Firewall..... | 13 |
| 8.0 Frame & Drive System | 15 |
| 9.0 Fuel System & Seat Assembly | 17 |
| 10.0 Electrical System..... | 19 |

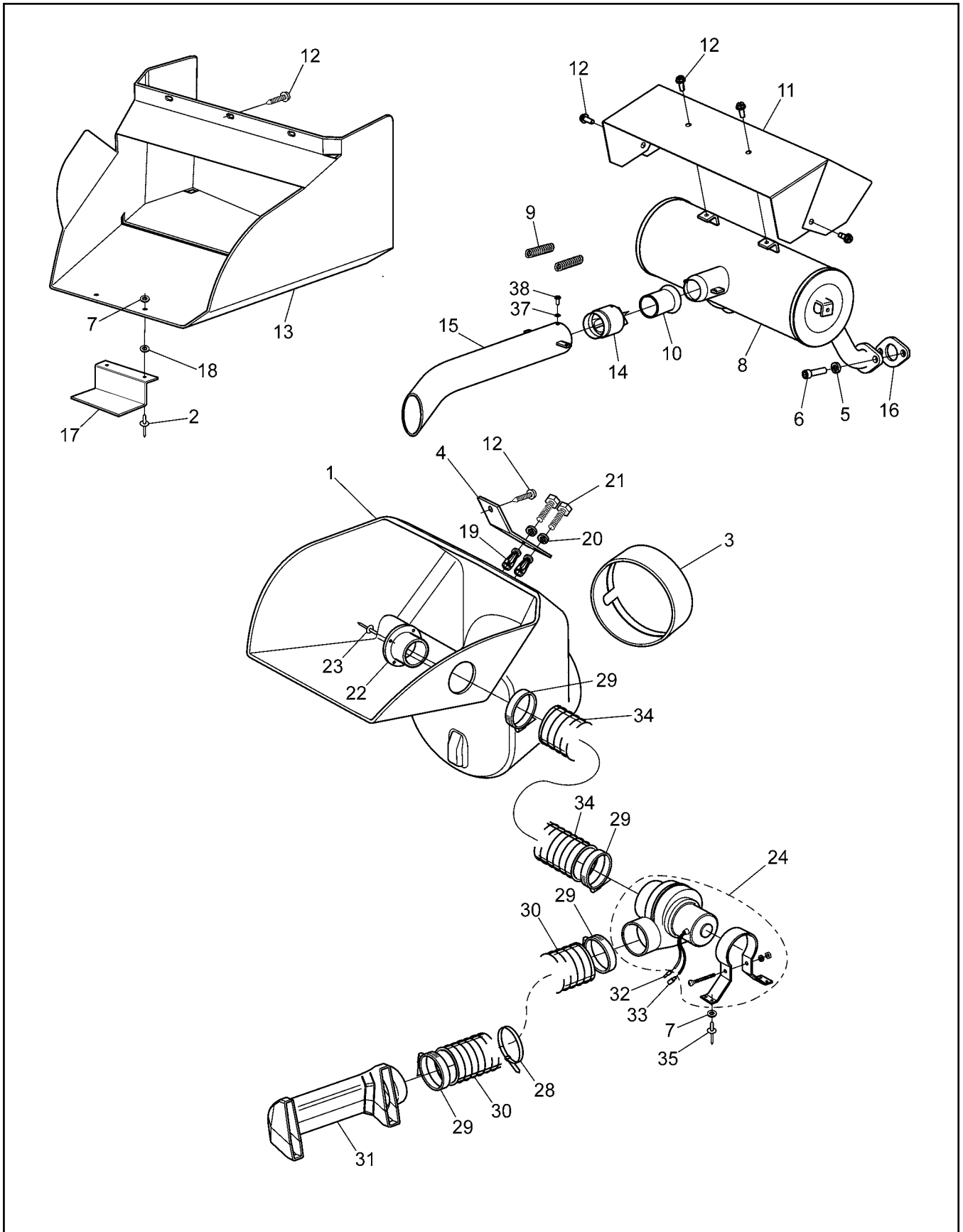


6x6 Frontier Parts Manual

1.0 Transmission

| Ref. | Qty. | Part # | Description | Ref. | Qty. | Part # | Description |
|------|------|------------|--------------------------------|------|------|------------|--|
| | 1 | 34-100 | Transmission Assembly | 40 | 1 | 34-109 | Gear, Helical - HI 12DP 33T |
| | 1 | 34-100-3.3 | Transmission Assembly | 41 | 1 | 34-110 | Gear, Helical - LOW 12DP 39T |
| 1 | 3 | 101-01 | Bearing, Ball 6204Z-C3 | 42 | 1 | 34-111 | Gear, Reverse - 10DP 33T |
| 2 | 2 | 101-03 | Bearing, Ball 6207-C3 | 43 | 1 | 34-112 | Shaft, Spline |
| 3 | 2 | 101-05 | Bearing, Ball 6306LLU-C3/2A | 44 | 1 | 34-113 | Shaft, Shift - Forward |
| 4 | 2 | 101-15 | Bearing, Ball 6005-C3 | 45 | 1 | 34-114 | Shaft, Shift - Reverse |
| 5 | 1 | 101-16 | Bearing, Ball 6206-C3 | 46 | 1 | 34-115 | Block, Shift |
| 6 | 2 | 102-03 | Seal,Oil WBS 30x72x10 NB D/LIP | 47 | 1 | 34-116 | Fork, Shift |
| 7 | 1 | 102-05 | Seal,Oil WBS 30x62x10 NB D/LIP | 48 | 1 | 34-117 | Lever, Shift |
| 8 | 1 | 103-02 | Plug, Magnetic 3/8-18NPT SQ.HD | 49 | 1 | 34-131 | Plate, Shifter |
| 9 | 2 | 104-03 | Pin, Dowel 1/4x7/8 | 50 | 1 | 34-121 | Knob, Shift - w/Argo Logo |
| 10 | 2 | 104-39 | Pin, Spring - 1/4 x 1.0 | 51 | 1 | 34-122 | Cage, Differential |
| 11 | 1 | 104-40 | Pin, Dowel - 1/4 x 1.75 | 52a | 1 | 34-123 | Pinion, Helical - 25T - 2.6 |
| 12 | 12 | 105-03 | Bushing, Oilite - 1/2x3/4 | 52b | 1 | 34-125 | Pinion, Helical - 21T - 3.3 |
| 13 | 3 | 105-23 | Bushing, Dowel - .312 x .5 | 53a | 1 | 34-124 | Gear Plate - 66T - 2.6 |
| 14 | 4 | 106-03 | Retaining Ring HO-281PA | 53b | 1 | 34-126 | Gear Plate - 70T - 3.3 |
| 15 | 1 | 106-05 | Retaining Ring HO-244-PA | 54 | 6 | 34-13 | Gear, Planet - 12T |
| 16 | 3 | 107-02 | Retaining Ring SH-0118-PA | 55 | 2 | 34-14 | Gear, Sun - 21T |
| 17 | 2 | 107-04 | Retaining Ring SH-0098-PA | 56 | 2 | 34-32 | Spring, Comp. 0.22x.50 |
| 18 | 1 | 107-14 | Retaining Ring LC-125-PA | 57 | 2 | 34-98 | Shaft, Output - Splined |
| 19 | 2 | 107-11 | Retaining Ring | 58 | 1 | 114-01 | Washer, Shim 2.25 x 2.81 x .02 |
| 20 | 1 | 107-15 | Retaining Ring SHR-098-PA | 59 | 1 | CE-035 | Dipstick - with Breather - 190mm |
| 21 | 15 | 108-05 | Lockwasher 5/16 Split Ring Zn | 60 | 1 | 609-38 | Boot, Shifter |
| 22 | 1 | 108-78 | Washer, Thrust | 61 | 3 | 112-64 | SHCS, 5/16-18 x 1.25 |
| 23 | 1 | 108-79 | Washer, Thrust | 62 | 1 | 108-88 | Washer, Retaining Thrust |
| 24 | 5 | 109-05 | Ball, Steel 6mm 62-67 Rc | 63 | 1 | 113-16 | O-Ring #AS568-014-70BN 5/8"OD x 1/2"ID x 1/16" Thk |
| 25 | 4 | 112-04 | HHCS 1/4-20x3/4 Gr2 Zn | 64 | 1 | 34-132 | Follower, Neutral Start |
| 26 | 14 | 112-143 | SHCS 5/16 x 1.25 Zn | 65 | 1 | 108-08 | Washer, .28 x .62 x .07 Zn |
| 27 | 1 | 112-144 | SHCS 5/16 x 1.0 Zn | 66 | 1 | 809-202 | Switch, Limit - Two Pole |
| 28 | 1 | 112-145 | SHSS 5/16 - 18 X 3/8 | 67 | 2 | 112-172/PI | SHMS, #5-40x3/4 Zn |
| 29 | 1 | 113-11 | O-Ring #AS568-216-70BN | 68 | 2 | 112-173/PI | Locknut, #5-40 Zn |
| 30 | 1 | 114-04 | Washer, Shim 1.19x1.50x.04 | 69 | 1 | 108-85 | Washer, Retaining Thrust |
| 31 | 1 | 114-05 | Washer, Shim 1.19x1.50x.02 | 70 | 1 | 112-171 | FHSC 1/4-20 x 3/4 Gr2 Zn |
| 32 | 1 | 34-101 | Housing, Transmission - L | 71 | 1 | 613-112 | Wire Harness, Neutral Start |
| 33 | 1 | 34-102 | Housing, Transmission - R | 72 | 1 | 161-28 | O-Ring, 3mm CS x 12mm ID |
| 34 | 1 | 34-127 | Clutch, Dog | | | | |
| 35 | 1 | 34-130 | Shaft, Input - 19/15T Spline | | | | |
| 36 | 1 | 34-128 | Pinion, Helical - HI 12DP 26T | | | | |
| 37 | 1 | 34-129 | Pinion, Helical - LO 12DP 20T | | | | |
| 38 | 1 | 34-107 | Pinion, Reverse - 10DP 16T | | | | |
| 39 | 1 | 34-108 | Gear, Idler - Rev - 10DP 16T | | | | |

2.0 Intake and Exhaust System 6x6 Frontier Parts Manual

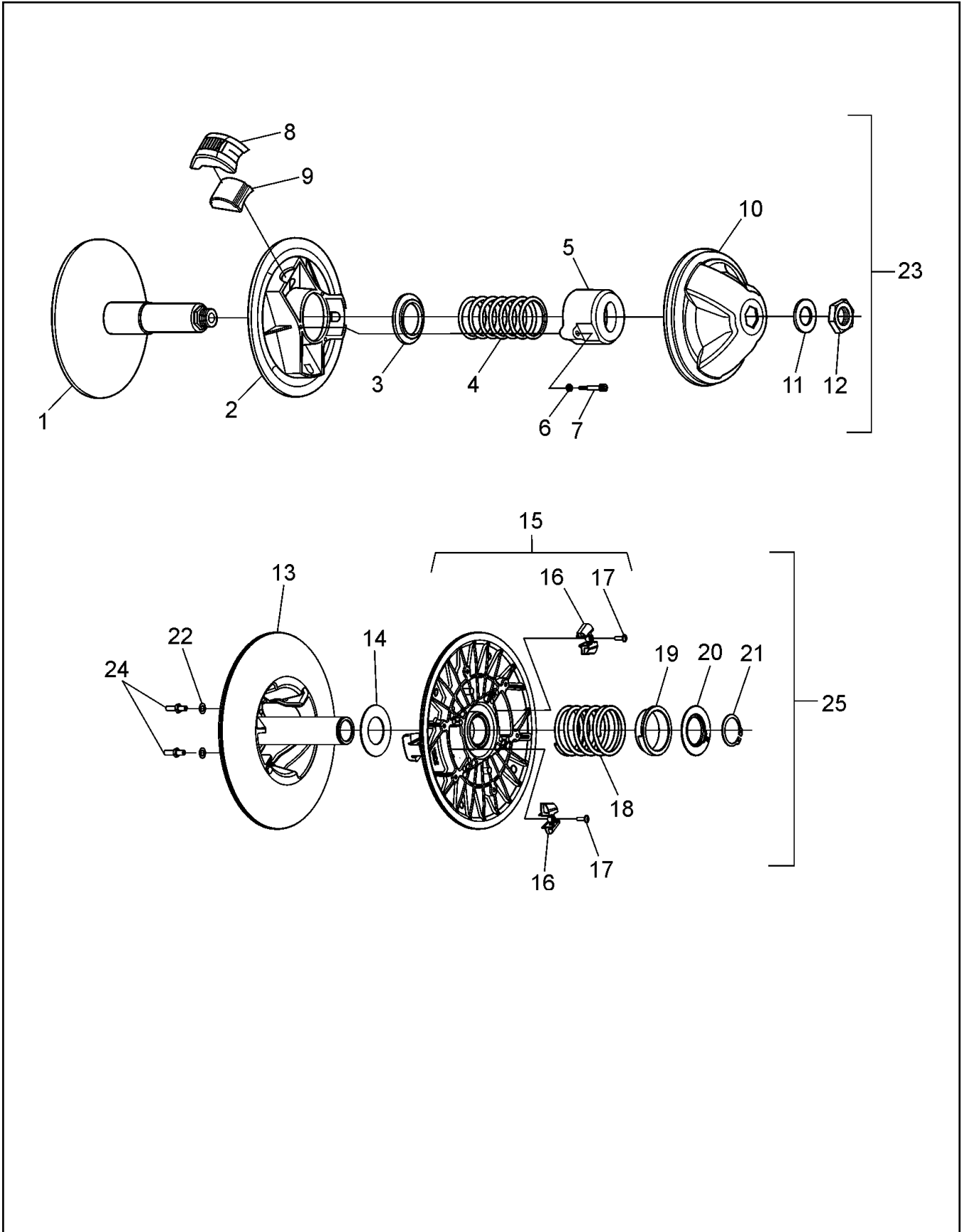


6x6 Frontier Parts Manual 2.0 Intake and Exhaust System

| Ref. | Qty. | Part # | Description |
|------|------|---------|--------------------------------------|
| 1 | 1 | 809-07 | Duct, Intake - Frontier |
| 2 | 2 | 120-31 | Rivet, 3/16 x 1/4". Open End |
| 3 | 1 | 603-82 | Seal, Argo Air Intake Duct - 580/650 |
| 4 | 1 | 809-08 | Bracket, Intake Duct |
| 5 | 4 | 108-02 | Lockwasher 5/16 Hi-Collar Bare |
| 6 | 4 | 112-30 | SHCS M8 x 1,25 x 20mm Zn |
| 7 | 6 | 120-04 | Washer, .19 x .50 x .08 Zn |
| 8 | 1 | 807-135 | Muffler, B&S 23HP Ass'y - 650 |
| | 1 | 807-140 | Muffler, B&S 16HP Ass'y - 580 |
| 9 | 4 | 126-57 | Spring, Extension - 7/16 x 2.14 |
| 10 | 1 | 607-125 | Tube Ass'y, Muffler, Flared |
| 11 | 1 | 607-123 | Shield, Heat - Muffler |
| 12 | 8 | 112-19 | Screw, IHWH T/C Slot 1/4-20 x 1/2 |
| 13 | 1 | 607-129 | Duct, Exhaust |
| 14 | 1 | 607-126 | Spark Arrester, 1.75 Dia. |
| 15 | 1 | 607-134 | Pipe, Tail - Ass'y |
| 16 | 2 | 805024 | Gasket, Exhaust Manifold - 580 |
| | 2 | 806425 | Gasket, Exhaust Manifold - B&S 23 HP |
| 17 | 1 | 707-45 | Support, Exhaust Duct |
| 18 | 2 | 125-58 | Washer, Fibre - W-77F |
| 19 | 2 | 117-53 | Nut, Jack 1/4-20 8L-JNS Zn |
| 20 | 2 | 108-03 | Lockwasher 1/4 Split Ring Zn |
| 21 | 2 | 103-97 | HHCS 1/4-20 x 1.25 Gr5 Zn |
| 22 | 1 | 127-171 | Adapter, 3" Hose* |
| 23 | 4 | 120-11 | Rivet, 5/32 x 9/16 Black* |
| 24 | 1 | 127-184 | Blower Fan* |
| 28 | 1 | 100-102 | Tie Wrap, 14" - White* |
| 29 | 4 | 125-35 | Clamp, Gear 3.50" HF-52* |
| 30 | 1 | 127-139 | Hose, Brake Fan Discharge |
| 31 | 1 | 127-134 | Duct, Brake Cooling* |
| 32 | 1 | 118-02 | Terminal, Male #76-1251* |
| 33 | 1 | 118-03 | Terminal, Female #76-1289* |
| 34 | 1 | 127-140 | Hose, Brake Fan Inlet* |
| 35 | 4 | 120-09 | Rivet, 3/16 x 1.0 Black* |
| 37 | 1 | 108-71 | Lockwasher, #8 External Tooth |
| 38 | 1 | 112-43 | Screw IHWH #8 x 3/8 |
| | | | * If equipped |

3.0 Clutch System

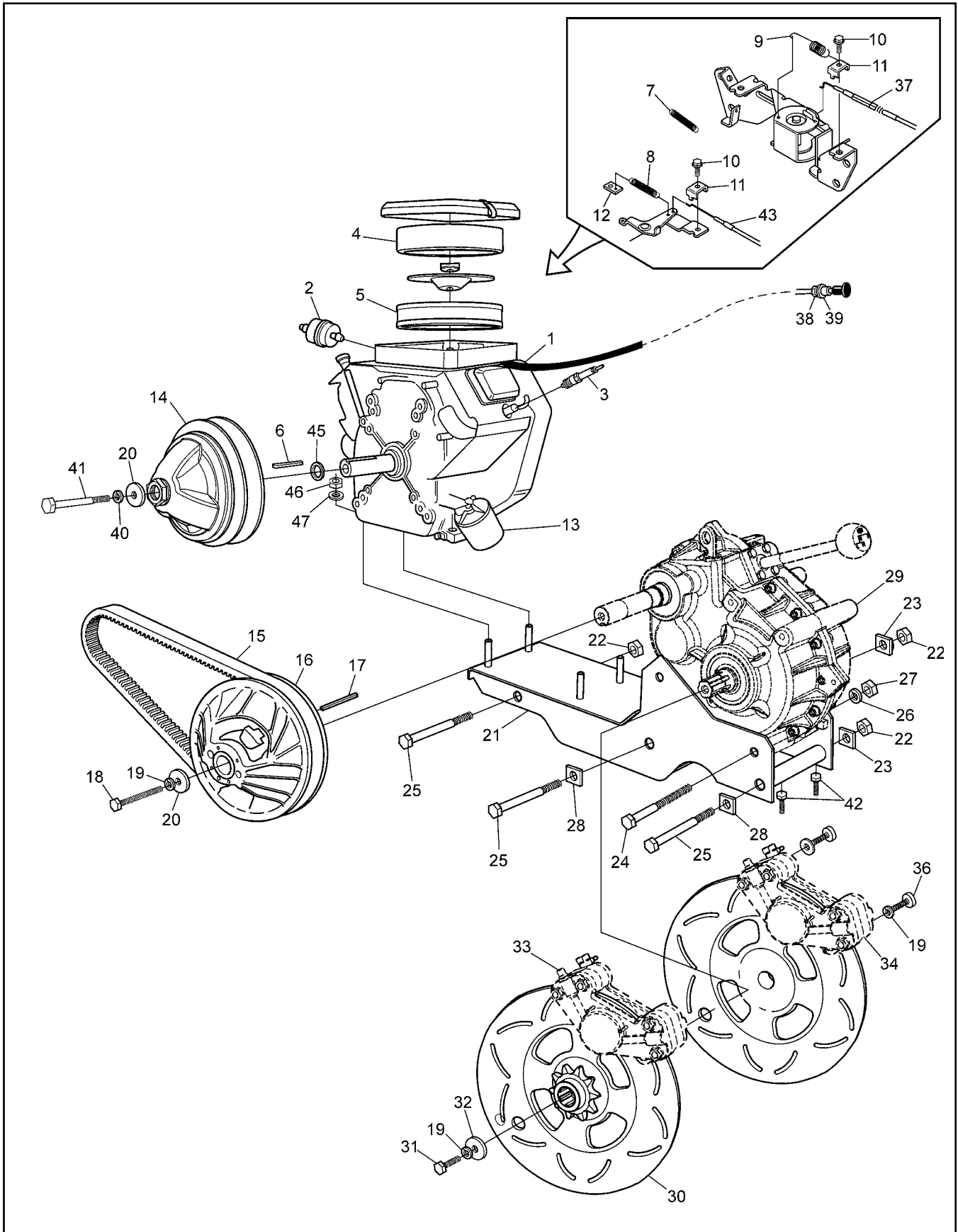
6x6 Frontier Parts Manual



| Ref. | Qty. | Part # | Description |
|------|------|-----------|---------------------------------------|
| 1 | 1 | 0405-0105 | Flange, Fixed - 6x6 Frontier 580 |
| | 1 | 0405-0075 | Flange, Fixed - 6x6 Frontier 650 |
| 2 | 1 | 0410-0026 | Flange, Sliding |
| 3 | 1 | 0150-1014 | Spring Guide Washer |
| 4 | 1 | 0451-1114 | Spring |
| 5 | 1 | 0440-0005 | Spring Cover |
| 6 | 3 | 0080-0167 | Lockwasher |
| 7 | 3 | 0080-0021 | Screw, Cap |
| 8 | 3 | 0130-3009 | Block |
| 9 | 3 | 0135-3063 | Weight (250gr) - 6x6 Frontier 580 |
| | 3 | 0135-3065 | Weight (275gr) - 6x6 Frontier 650 |
| | 1 | 127-208 | Weight Set (3), 185g - High Elevation |
| | 1 | 127-209 | Weight Set (3), 220g - High Elevation |
| | 1 | 127-210 | Weight Set (3), 240g - High Elevation |
| 10 | 1 | 0115-0047 | Cap |
| 11 | 1 | 0080-0153 | Washer, Zn |
| 12 | 1 | 0080-0100 | Nut |
| 13 | 1 | 5905-0003 | Flange, Fixed |
| 14 | 1 | 0080-0164 | Washer, Shim |
| 15 | 1 | 5910-0002 | Flange, Sliding |
| 16 | 3 | 5930-3001 | Cam Shoe |
| 17 | 2 | 0080-0031 | Screw |
| 18 | 1 | 5951-1009 | Spring |
| 19 | 1 | 5950-3003 | Spring Protector |
| 20 | 1 | 5950-3002 | Spring Support |
| 21 | 1 | 0080-0216 | Retaining Ring, Outside |
| 22 | 2 | 0080-0167 | Lockwasher |
| 23 | 1 | 127-163 | Clutch, Driver - 6x6 Frontier 580 |
| | 1 | 127-135 | Clutch, Driver - 6x6 Frontier 650 |
| 24 | 2 | 0080-0035 | Screw & Nut Ass'y |
| 25 | 1 | 127-156 | Clutch, Driven - INVANCE |

4.0 Power Pack Assembly

6x6 Frontier Parts Manual



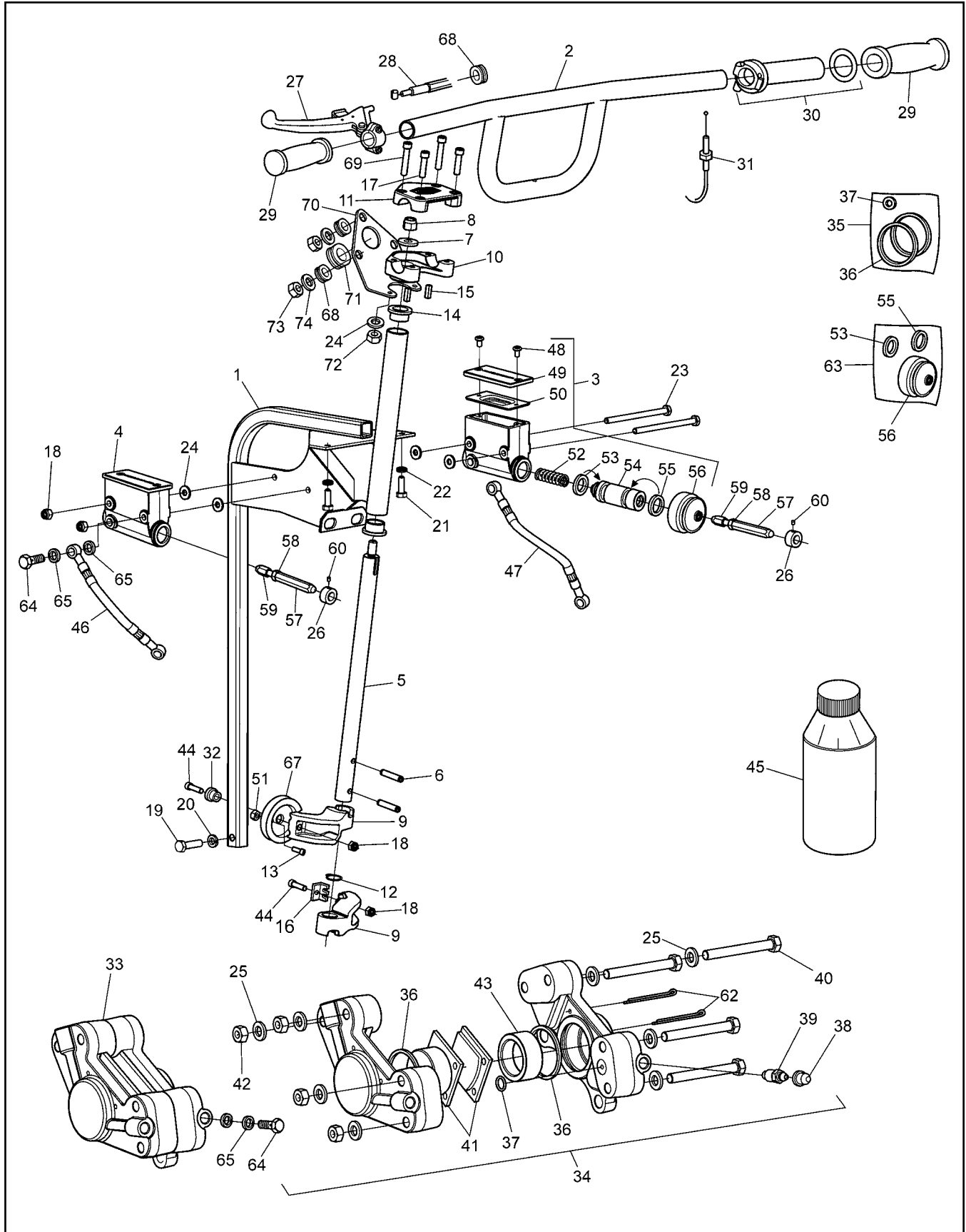
6x6 Frontier Parts Manual

4.0 Power Pack Assembly

| Ref. | Qty. | Part # | Description | Ref. | Qty. | Part # | Description |
|------|------|---------|--|------|------|---------|--|
| 1 | 1 | 128-15 | Engine - B&S 18HP, 20/50 amp incl. Ref. 2-13 B&S #356447-0165-E1 | 29 | | | See Section 1.0 Transmission |
| | | 128-20 | Engine - B&S 23HP, 20/50 amp incl. Ref. 2-13 B&S #386447-0144-E1 | 30 | 2 | 606-74 | Disc, Brake-Splined #60-10T |
| 2 | 1 | 125-64 | Fuel Filter, G81-4 | 31 | 2 | 103-18 | HHCS 3/8-24 x 1.25 Gr5 Zn |
| 3 | 2 | 127-193 | Sparkplug RC14YC | 32 | 2 | 108-18 | Washer .40 x 1.37 x .12 Zn |
| 4 | 1 | 692520 | Element, Foam - 23HP | 33 | | | See Section 5.0 Steering & Brake System |
| | 1 | 272490S | Element, Foam - 18 HP | 34 | | | See Section 5.0 Steering & Brake System |
| 5 | 1 | 692519 | Filter, Air - 23HP | 36 | 4 | 103-41 | SHCS 3/8-16 x 1.25 Zn |
| | 1 | 394018S | Filter, Air - 18HP | 37 | 1 | 612-101 | Cable Asm, Throttle |
| 6 | 1 | 110-18 | Key 1/4 x 1/4 x 1.75 RC45 | 38 | 2 | 117-68 | Nut, Jam 3/8-24 UNF Zn |
| 7 | 1 | 805458 | Spring | 39 | 1 | 108-32 | Lockwasher 3/8 Int.Tooth |
| 8 | 1 | 125-88 | Spring, Return | 40 | 1 | 108-06 | Lockwasher 3/8 Split Ring Zn - 580 |
| 9 | 1 | 127-49 | Spring, Return | 41 | 1 | 112-28 | HHCS, 3/8-24 x 4.5" Lg - 580 |
| 10 | 2 | 805169 | Screw-Hex Head (Briggs #) | | 1 | 112-160 | HHCS, 7/16-20 x 5" Lg - 650 |
| 11 | 2 | 221535 | Clamp - Casing (Briggs #) | 42 | 2 | 103-53 | HHCS 3/8-16 x 3.0 Full Thread |
| 12 | 1 | 601-86 | Clip, Retainer | 43 | 1 | 612-130 | Cable Asm, Choke |
| 13 | 1 | 126-95 | Filter, Oil | 45 | 1 | 108-84 | Washer, Engine, Clutch 650 |
| 14 | | | See Section 3.0 Clutch System | | 1 | 108-87 | Washer, Engine, Clutch, 1.00 - 580 |
| 15 | 1 | 127-159 | Drive Belt - Frontier - 11.3" Cen. Dist | 46 | 4 | 117-21 | Locknut, Nylon 5/16-18 Zn |
| 16 | | | See Section 3.0 Clutch System | 47 | 4 | 108-24 | Washer .34 x 1.00 x .06 Zn |
| 17 | 1 | 110-03 | Key 1/4 x 3/16 x 2.375 RC46 | | | | |
| 18 | 1 | 112-164 | HHCS 3/8-16 x 3.50 Gr5 Zn | | | | |
| 19 | 7 | 108-06 | Lockwasher 3/8 Split Ring Zn | | | | |
| 20 | 2 | 108-46 | Washer .40 x 1.37 x 1.2 Hi- Carbon - 580 | | | | |
| | 1 | 108-58 | Washer .47 x 1.37 x .12 Hi- Carbon - 650 | | | | |
| 21 | 1 | 604-118 | Frame Ass'y - Power Pack | | | | |
| 22 | 3 | 117-83 | Locknut, Stover 5/8-11 Zn | | | | |
| 23 | 2 | 811-09 | Washer, Square - .64 ID | | | | |
| 24 | 2 | 103-20 | HHCS 1/2-13 x 6.5 Gr5 Zn | | | | |
| 25 | 3 | 112-58 | HHCS 5/8-11 x 7.5 Gr5 Zn | | | | |
| 26 | 2 | 108-07 | Lockwasher 1/2 Split Ring Zn | | | | |
| 27 | 2 | 117-06 | Nut, Fin Hex 1/2-13 Zn | | | | |
| 28 | 2 | 811-15 | Washer, Square Lock .64 ID | | | | |

5.0 Steering & Brake System

6x6 Frontier Parts Manual



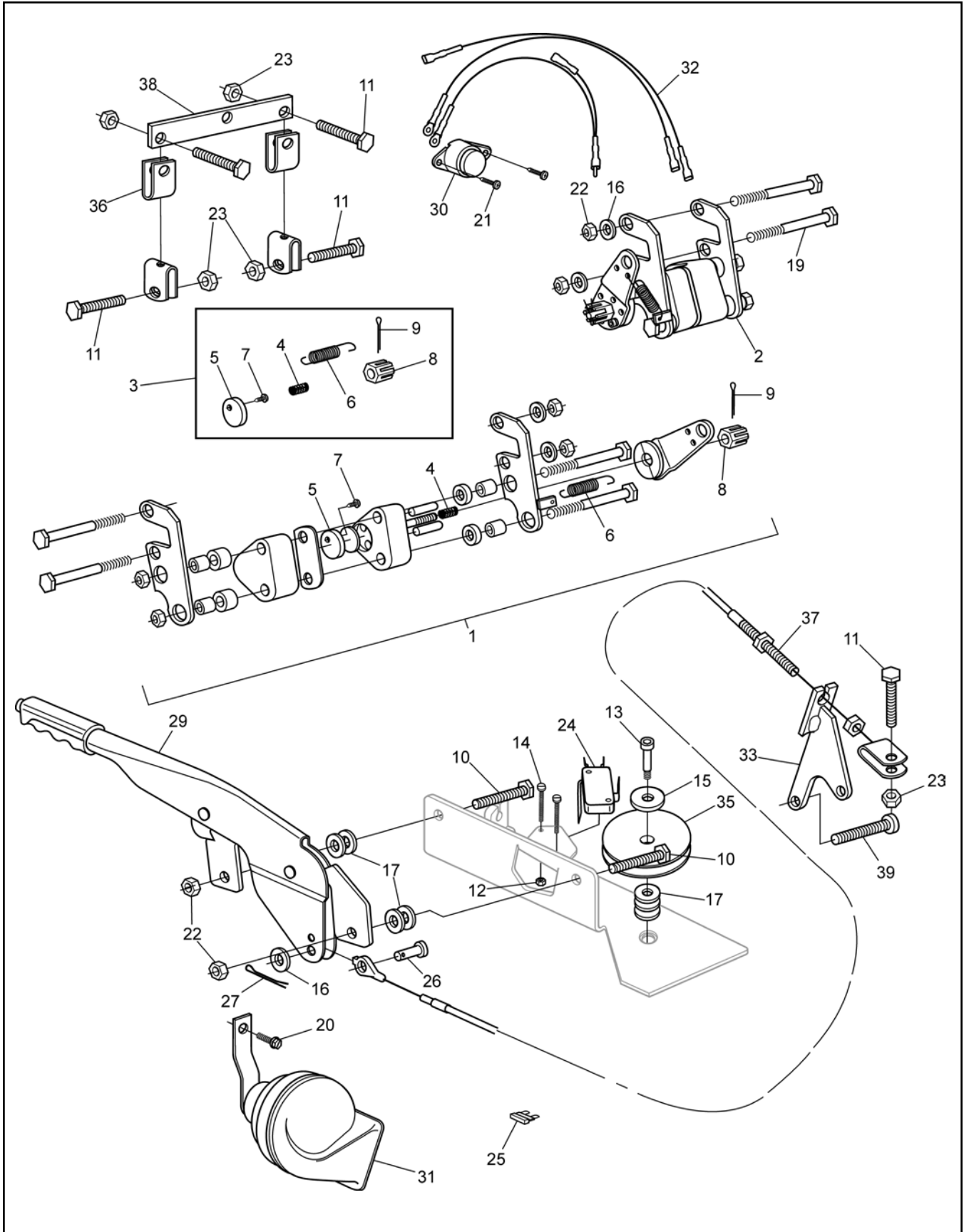
6x6 Frontier Parts Manual

5.0 Steering & Brake System

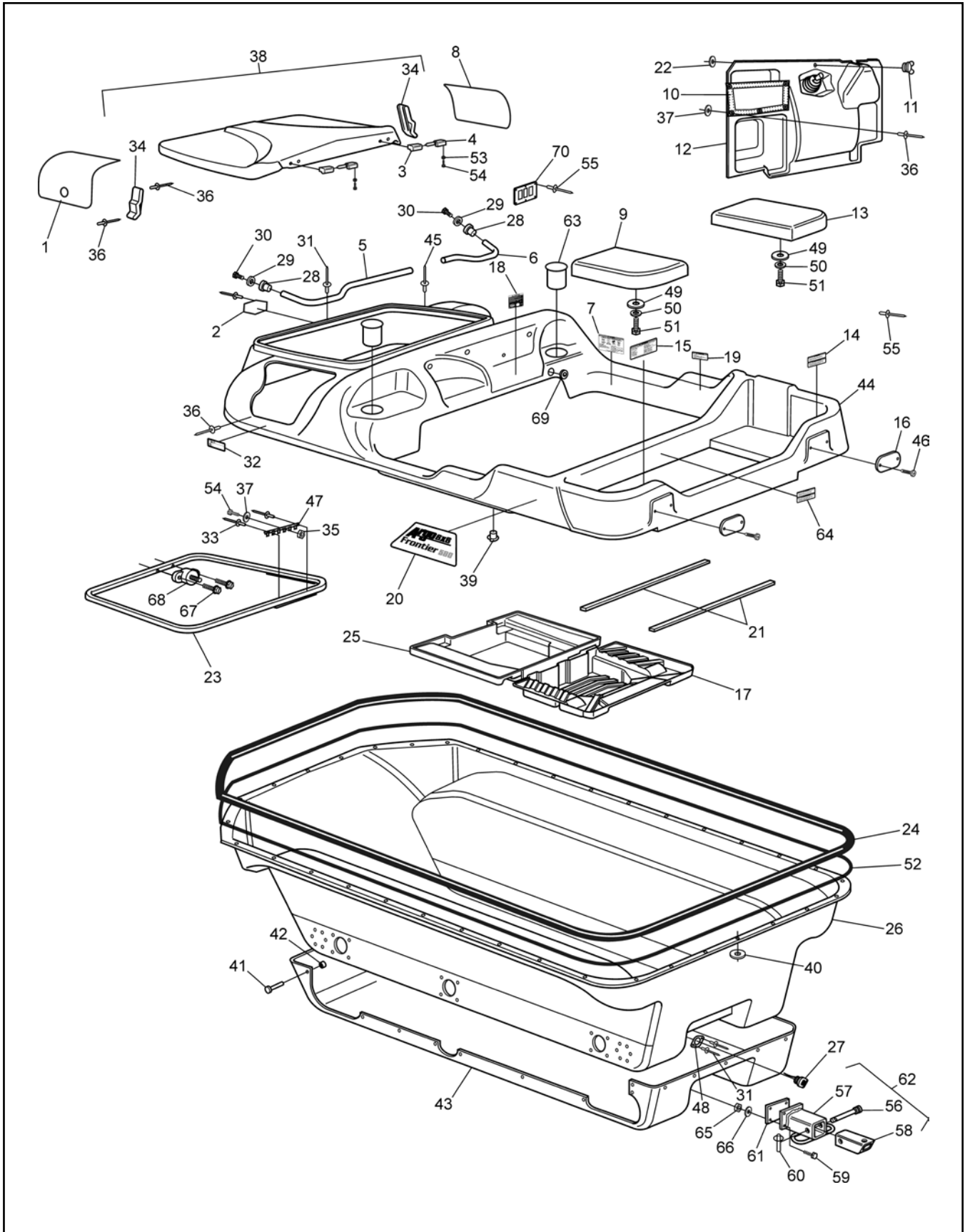
| Ref. | Qty. | Part # | Description | Ref. | Qty. | Part # | Description |
|------|------|---------|---------------------------------------|------|------|---------|---|
| 1 | 1 | 612-129 | Frame Assembly, Steering Column | 44 | 2 | 112-159 | BHCS, 1/4-20 x 1.0, Plated |
| 2 | 1 | 612-107 | Handlebar Assembly | 45 | | 126-19 | Fluid, Brake-Silicon Dot 5 - .35L |
| 3 | 1 | 165-08 | Master Cylinder, Grimeca - R | 46 | 1 | 163-05 | Hose Asm, Hydraulic - Left |
| 4 | 1 | 165-07 | Master Cylinder, Grimeca - L | 47 | 1 | 163-06 | Hose Asm, Hydraulic - Right - SS |
| 5 | 1 | 612-127 | Shaft, Steering - Argo | 48 | 2x2 | 160-42 | Screw, FHMS M5 x 0,8 x 6mm |
| 6 | 2 | 104-42 | Pin, Spring 1/4 x 1.5" | 49 | 2x1 | 168-08 | Cover |
| 7 | 1 | 108-47 | Washer, .39 x .94 x .13 Zn Di-chr | 50 | 2x1 | 168-09 | Cover, Rubber |
| 8 | 1 | 117-29 | Locknut, Nylon 3/8-16 Zn | 51 | 1 | 117-10 | Locknut, 10-24 N/I Zn |
| 9 | 2 | 612-124 | Arm, Steering | 52 | 2x1 | 162-08 | Spring, Comp. 17.3 x 49.3mm |
| 10 | 1 | 612-106 | Clamp, Lower Handlebar | 53 | 2x1 | | Seal, Primary, 19mm (See Ref. 63) |
| 11 | 1 | 612-105 | Clamp, Upper Handlebar | 54 | 2x1 | 168-10 | Piston 19mm dia. |
| 12 | 1 | 106-07 | Ring, Retaining SH-0075PA | 55 | 2x1 | | Seal, Secondary, 19mm (See Ref. 63) |
| 13 | 1 | 160-46 | SHCS, #10-24 x 3/8" | 56 | 2x1 | | Boot, Rubber (See Ref. 63) |
| 14 | 2 | 105-16 | Bushing, Oilite - 3/4 x 1/2 | 57 | 2 | 812-30 | Pin, Female |
| 15 | 2 | 110-17 | Key, 3/16 x 3/16 x .625 | 58 | 2 | 117-03 | Nut, Fin Hex 1/4-20 Zn |
| 16 | 1 | 128-24 | Retainer, Handbrake Cable | 59 | 2 | 812-31 | Fin, Male |
| 17 | 2 | 112-47 | SHCS, 1/4-20 x 1.0 Zn | 60 | 2 | 112-02 | SHSS 10-24x1/4 Knurl Cup PT, PL |
| 18 | 4 | 117-27 | Locknut, Nylon 1/4-20 Zn | 62 | 2x2 | 168-07 | Pin, Cotter 1/8 x 3.00 Zn |
| 19 | 1 | 103-38 | HHCS 5/16-18 x 1.25 Gr5 Zn | 63 | 2x1 | 161-25 | O-Ring Kit - Master Cylinder - Grimeca (incl. Ref. 53, 55 & 56) |
| 20 | 1 | 108-05 | Lockwasher 5/16 Split-Ring Zn | 64 | 4 | 160-44 | Bolt, Banjo - M10 x 1,0 x 21,0 |
| 21 | 2 | 112-04 | HHCS 1/4-20 x 3/4 Gr2 Zn | 65 | 13 | 160-01 | Washer, Copper - 1,5 x 10,0 x 14,0 |
| 22 | 2 | 108-03 | Lockwasher 1/4 Split Ring Zn | 67 | 1 | 165-18 | Pulley, Handbrake Cable |
| 23 | 2 | 103-66 | HHCS, 1/4-20 x 4.0 Gr5 Zn | 68 | 4 | 125-84 | Grommet, Rubber |
| 24 | 4 | 108-08 | Washer, .28 x .62 x .04 Zn | 69 | 2 | 103-69 | SHCS 1/4-20 x 1.5 Zn |
| 25 | 2x8 | 108-24 | Washer, .34 x .70 x .06 Zn | 70 | 1 | 612-132 | Bracket, LCD Gauge - Painted |
| 26 | 2 | 812-17 | Collar | 71 | 1 | 128-27 | Grommet 1-1/4ID x 1-1/2x3/32 |
| 27 | 1 | 128-17 | Lever Assembly, Handbrake, Spring | 72 | 2 | 117-86 | Nut, Acorn, 1/4-20 Zn |
| 28 | 1 | 128-21 | Cable Assembly, Handbrake | 73 | 3 | 117-85 | Nut, Acorn, M5 Zn |
| 29 | 2 | 127-35 | Grip, Molded | 74 | 3 | 120-04 | Washer .19 x .50 x.08 Zn |
| 30 | 1 | 127-81 | Throttle Twist Grip | | | | |
| 31 | 1 | 612-116 | Cable Asm., Throttle | | | | |
| 32 | 1 | 105-25 | Bushing, Flange Oilite FF-310 | | | | |
| 33 | 1 | 166-10 | Caliper, Hydraulic Brake - L w/o pads | | | | |
| 34 | 1 | 166-11 | Caliper, Hydraulic Brake - R w/o pads | | | | |
| 35 | 2 | 161-05 | O-ring Kit, Knott Caliper | | | | |
| 36 | 2 | | Seal, Piston | | | | |
| 37 | 2 | | Seal, Rubber | | | | |
| 38 | 2x1 | 168-20 | Plug, Rubber | | | | |
| 39 | 2x1 | 168-02 | Screw, Bleeding, Knott Caliper | | | | |
| 40 | 2x4 | 112-154 | SHCS, 5/16-18 x 2.75 Zn | | | | |
| 41 | 1 | 170-03 | Pad Set (4), Brake - Non-Asbestos | | | | |
| 42 | 2x4 | 117-03 | Nut, Fin Hex 5/16-18 Zn | | | | |
| 43 | 2x2 | 168-01 | Piston, Knott Caliper | | | | |

6.0 Parking Brake

6x6 Frontier Parts Manual



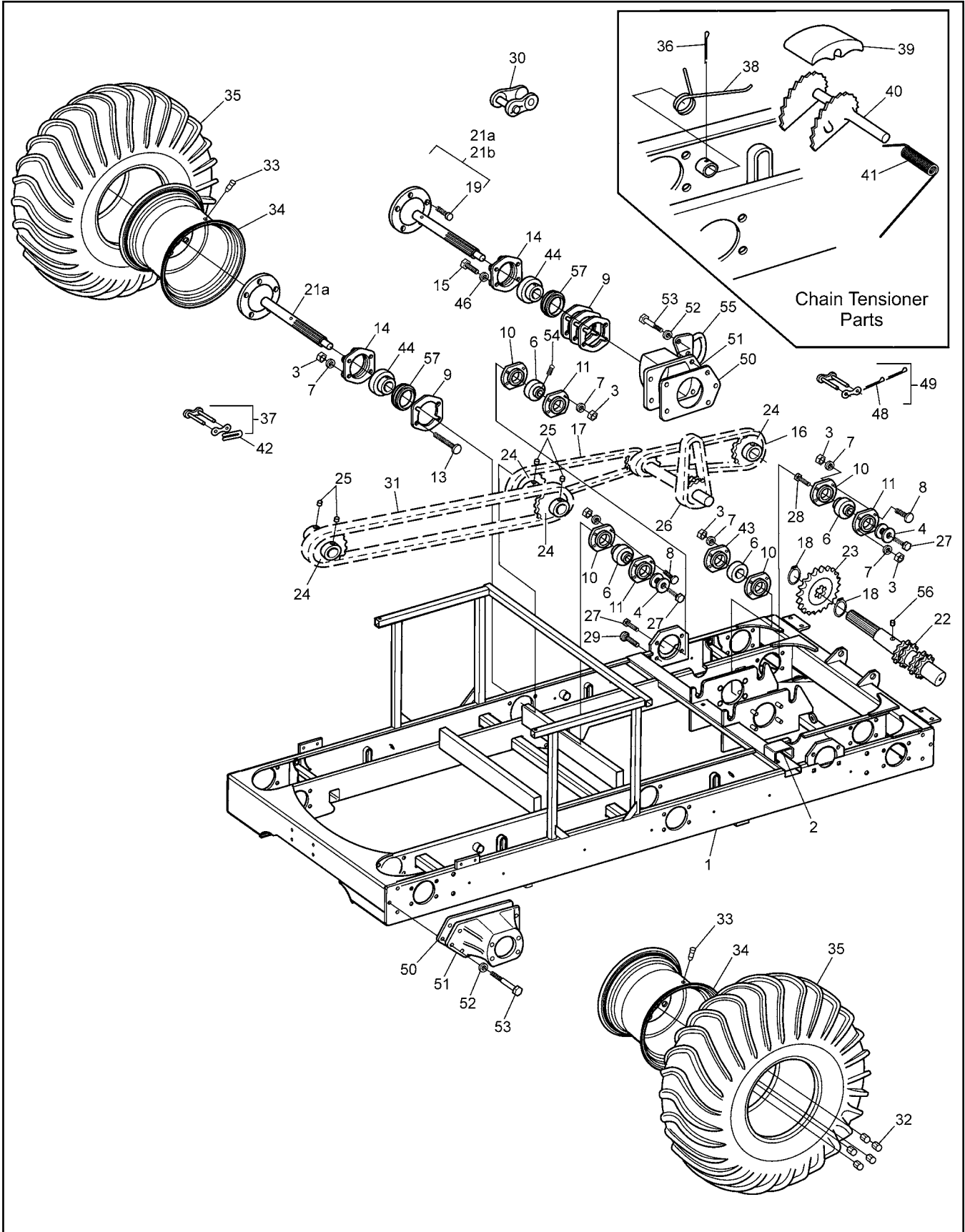
| Ref. | Qty. | Part # | Description |
|------|------|------------|--|
| 1 | 1 | 850-96 | Caliper Ass'y, LH, Parking Brake |
| 2 | 1 | 850-97 | Caliper Ass'y, RH, Parking Brake |
| 3 | 1 | 850-98 | Kit, Service, Parking Brake (includes Ref. 4 - 9, not sold separately) |
| 4 | 1 | | Cam Tension Spring (compression) |
| 5 | 1 | | Left & Right Brake Pads |
| 6 | 1 | | Cam Arm Spring (tension) |
| 7 | 1 | | Brake Pad Retaining Screw |
| 8 | 1 | | Castle Nut |
| 9 | 1 | | Cotter Pin |
| 10 | 2 | 103-06 | HHCS 5/16-18x1.0 Gr5 Zn |
| 11 | 5 | 103-08 | HHCS 1/4-20x1.0 Zn |
| 12 | 2 | 112-173 | Locknut, #5-40, Zn |
| 13 | 1 | 112-178 | Bolt, Shoulder, 1/2 x 5/8 |
| 14 | 2 | 112-172 | SHCS 5-40 x 3/4 Zn |
| 15 | 1 | 108-35 | Washer .53 x 1.06 x .09 Zn |
| 16 | 5 | 108-24 | Washer .34x.70x.06 Zn |
| 17 | 7 | 108-47 | Washer .39x.94x.13 Zn Di-Chro |
| 18 | 1 | 117-10 | Locknut, 10-24 N/I Zn |
| 19 | 4 | 112-132 | HHCS 5/16-18 x 3.25 Gr5 Zn |
| 20 | 1 | 112-19 | Screw,IHWH T/C Slot 1/4-20x1/2* |
| 21 | 2 | 112-56 | T/S Pan Head Phil #10x3/4 A Zn* |
| 22 | 6 | 117-21 | Locknut, Nylon 5/16-18 Zn |
| 23 | 5 | 117-27 | Locknut, Nylon 1/4-20 Zn |
| 24 | 1 | 613-120 | Switch, Micro, Lever |
| 25 | 1 | 118-52 | Fuse, 10A 2-Prong (AT010)* |
| 26 | 1 | 104-27 | Pin, Clevis 5/16x.75" Zn |
| 27 | 1 | 100-100 | Pin, Cotter 1/8x3/4 Zn |
| 29 | 1 | 809-147 | Lever, Parking Brake |
| 30 | 1 | 848-86 | Button, Horn* |
| 31 | 1 | 848-87 | Horn, Electric* |
| 32 | 1 | 848-88 | Wire Harness, Horn* |
| 33 | 1 | 850-72 | Bracket Asm, Parking/Brake |
| 35 | 1 | 850-79 | Pulley, Parking Brake Cable |
| 36 | 2 | 850-80 | Cable, Parking Brake Equalizer |
| 37 | 1 | 850-81 | Cable, Parking Brake |
| 38 | 1 | 850-82 | Flat Bar, Equalizer |
| 39 | 1 | 112-143/PI | SHCS 5/16x1.25 Zn |
| | | | *If equipped |



6x6 Frontier Parts Manual

7.0 Vehicle Body & Firewall

| Ref. | Qty. | Part # | Description | Ref. | Qty. | Part # | Description |
|------|------|---------|---|------|------|---------|---|
| 1 | 1 | 707-43 | Screen - Exhaust | 39 | 2 | 117-44 | T- Nut 1/4-20 Zn |
| 2 | 1 | 601-44 | Nameplate, "Argo" | 40 | 84 | 120-04 | Washer .19 x .50 x .08 Zn |
| 3 | 2 | 127-45B | Knuckle, Hinge | 41 | 26 | 120-27 | Pin, Magna Grip (if equipped) |
| 4 | 2 | 127-45A | Pin, Hinge | 42 | 26 | 120-28 | Collar, Magna Grip (if equipped) |
| 5 | 1 | 601-103 | Tube, Dash Handle, Pass.Side | 43 | 1 | 603-98 | Skid Plate, 6x6 - Black (if equipped) |
| 6 | 1 | 601-104 | Tube, Dash Handle, Driver Side | 44 | 1 | 601-105 | Body & Hood, Upper - Frontier (spec. colour) (incl. 23, 33, 38) |
| 7 | 1 | 126-68 | Plate, Operation | 45 | 109 | 120-09 | Rivet 3/16 x 1 - Black |
| 8 | 1 | 707-42 | Screen, Intake | 46 | 4 | 103-48 | T/S Pan HD PHIL #10 x 5/8 |
| 9 | 1 | 601-03 | Seat, Rear - Left - 6x6 - Black | 47 | 1 | 613-37 | Terminal Strip, Ground |
| 10 | 1 | 100-108 | Mesh, Glove Box | 48 | 2 | 100-114 | Gasket, Drain Plug |
| 11 | 1 | 126-10 | Wing Stud | 49 | 2 | 603-15 | Washer, Plastic 5/16 Hole |
| 12 | 1 | 803-60 | Firewall | 50 | 2 | 108-01 | Washer, Fender 1/4 BS x 1.25 OD |
| 13 | 1 | 601-02 | Seat, Rear - Right - 6x6 - Black | 51 | 2 | 103-08 | HHCS 1/4-20 x 1.0 Zn |
| 14 | 1 | 126-67 | Plate, Floor Pan | 52 | 1 | 126-60 | Vinyl Strip, 1/2" x 1/4" x 37.5' |
| 15 | 1 | 127-173 | Plate, Vehicle Capacity | 53 | 8 | 108-59 | Lockwasher #10 Int. Tooth Zn |
| 16 | 2 | 127-01 | Reflector, Red | 54 | 9 | 103-47 | HHCS 10-24 x 1/2 |
| 17 | 1 | 803-61 | Floor Pan, Rear - Frontier | 55 | 44 | 120-24 | Rivet, 3/32 x 3/8 Alum. (all plates) |
| 18 | 1 | 127-141 | Label, Caution - Keyswitch | 56 | 1 | 104-13 | Pin, Toplink - 3/4 x 2.75 |
| 19 | 1 | 126-69 | Plate, Fuel | 57 | 1 | 616-16 | Hitch Assembly |
| 20 | 2 | 127-170 | Nameplate - 6x6 Frontier 650 | 58 | 1 | 616-19 | Tube, Hitch |
| | 2 | 127-169 | Nameplate - 6x6 Frontier 580 | 59 | 4 | 103-61 | HHCS 3/8-24 x 1.5 Gr5 Zn |
| 21 | 2 | 601-106 | Trim, Vinyl - 30" Black | 60 | 1 | 104-11 | Pin, Lynch - Ring |
| 22 | 1 | 126-09 | Grommet, Alum. Flattened Half | 61 | 1 | 616-20 | Gasket, Rear Hitch |
| 23 | 1 | 602-53 | Frame Ass'y, Hood - Front | 62 | 1 | 626-10 | Hitch Kit (Opt. on Frontier 580) |
| 24 | 1 | 601-05 | Bumper, Vinyl - 6x6 | 63 | 2 | 100-109 | Cup Holder Insert |
| 25 | 1 | 803-59 | Floor Pan, Front | 64 | 1 | 127-51 | Plate, Capacity 6x6 |
| 26 | 1 | 603-99 | Body, Lower - Frontier | 65 | 4 | 117-24 | Locknut, Nylon 3/8-24 Zn |
| 27 | 2 | 100-107 | Plug, Drain - Flanged | 66 | 4 | 108-15 | Washer .42 x .81 x .05 Zn |
| 28 | 2 | 113-12 | Insert, 1/2-13 | 67 | 2 | 112-51 | Screw, IHWH T/C #10-24x5/8 |
| 29 | 2 | 108-35 | Washer .53 x 1.06 x .09 Zn | 68 | 1 | 613-123 | Post, Power, 5/16-18, Red |
| 30 | 2 | 112-151 | HHCS 1/2-13 x 1" Gr2 Zn | 69 | 1 | 128-26 | Grommet, 1-1/2ID x 1-3/4x1/4 |
| 31 | 17 | 120-13 | Rivet, 3/16 x 3/4 Black | 70 | 1 | 127-150 | Plate, Switch Mounting -3 Hole |
| 32 | 1 | 127-144 | Label, Warning - HOT | | | | |
| 33 | 2 | 120-15 | Rivet - 1/8 x 7/16 | | | | |
| 34 | 3 | 602-56 | Latch, Hood - Soft Draw | | | | |
| 35 | 1 | 117-10 | Locknut, 10-24 N/I Zn | | | | |
| 36 | 25 | 120-11 | Rivet 5/32 x 9/16 - Black | | | | |
| 37 | 6 | 120-05 | Washer, .19 x .50 x .04 Zn | | | | |
| 38 | 1 | 602-57 | Hood Kit - Frontier (spec. colour) (incl. 3, 4, 34, 36, 53, 54) | | | | |

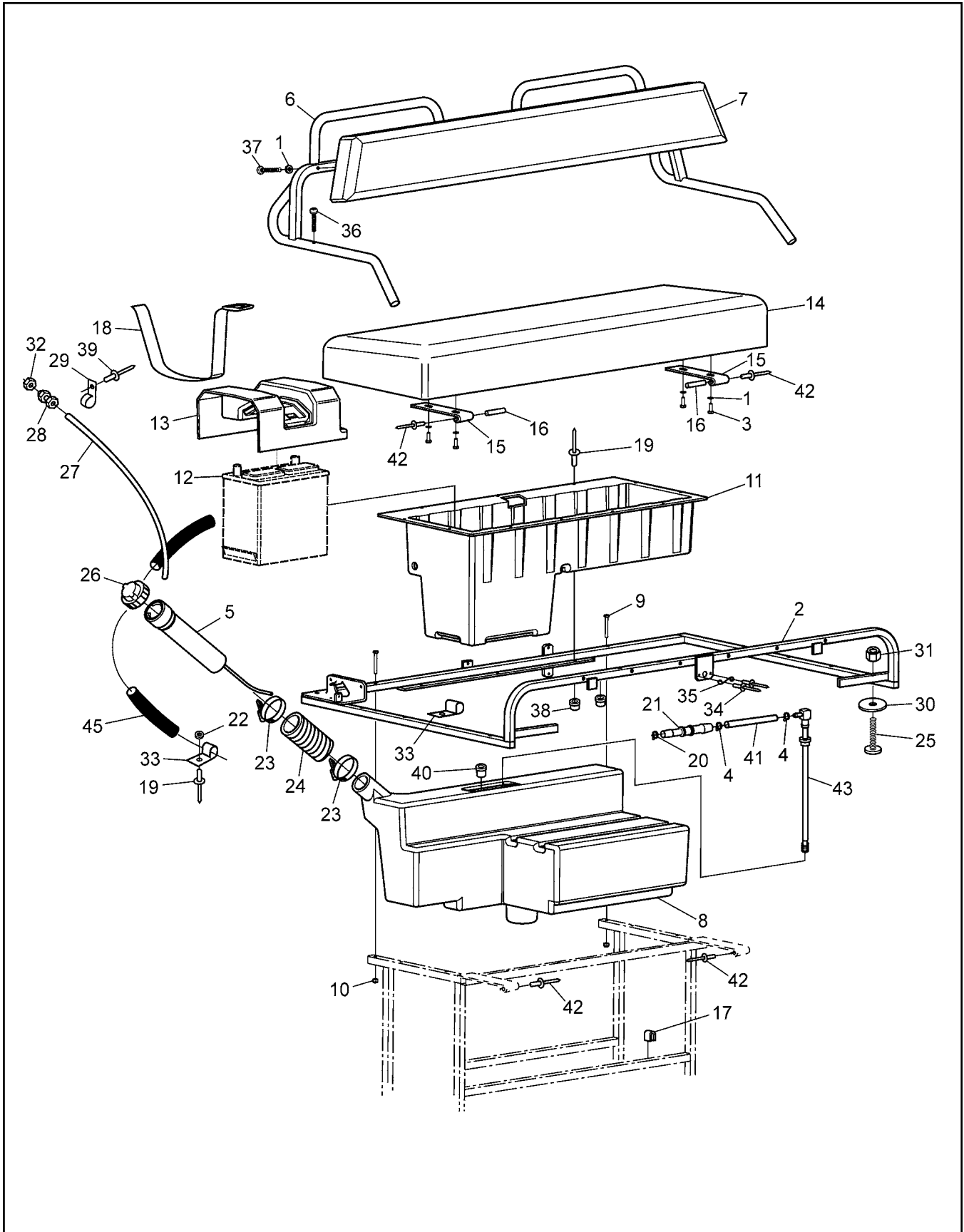


6x6 Frontier Parts Manual

8.0 Frame and Drive System

| Ref. | Qty. | Part # | Description | Ref. | Qty. | Part # | Description |
|------|------|----------|---------------------------------------|------|------|---------|--|
| 1 | 1 | 604-100 | Frame Asm - Frontier | 37 | 1x6 | 603-84 | Con. Link, RC60-1 H.D. |
| 2 | 2 | 606-43 | Slide, Chain - 2-3/4" | 38 | 4 | 127-65 | Spring Torsion - 1.16x0.35 |
| 3 | 46 | 117-29 | Locknut, Nylon 3/8-16 Zn | 39 | 4 | 606-44 | Slider Block |
| 4 | 12 | 108-46 | Washer .40 x 1.37 x .12 Hi-Carbon | 40 | 4 | 606-82 | Tensioner Asm, Chain |
| 6 | 10 | 101-41 | Bearing, Ball - 1.0 | 41 | 4 | 127-64 | Spring, Torsion - .76 x 1.9 |
| 7 | 64 | 108-15 | Washer, .42 x .81 x .05 Zn | 42 | 6 | 603-96 | Spring Clip - RC 60 Closed |
| 8 | 23 | 103-88 | C/Bolt 3/8-16 x 1.0 Gr5 Zn | 43 | 2 | 606-93 | Flange, Greaseable - 90 Deg |
| 9 | 12 | 606-90 | Gasket, Flange - 72mm | 44 | 6 | 101-95 | Bearing, Ball -1.25 x 72mm |
| 10 | 16 | 606-91 | Flange - 4 Hole Hd | 46 | 12 | 108-06 | Lockwasher 3/8 Split-RingZn |
| 11 | 10 | 606-92 | Flange, Greasable - 4 Hole Hd | 48 | 4 | 104-35 | Pin, Cotter 2mm x 12mm |
| 13 | 24 | 112-187 | C-Bolt 3/8-16x2.0 Gr5 Zn | 49 | 2 | 603-94 | Con. Link, RC60-1 Cotter Pin |
| 14 | 6 | 606-88 | Flange Ass'y, Outer Bearing | 50 | 4 | 606-25 | Gasket - Bearing Extension (if equipped) |
| 15 | 16 | 103-68 | HHCS 3/8-16 x 2.0 Gr5 Zn | 51 | 4 | 810-112 | Bearing Extension w/nuts (if equipped) |
| 16 | 2 | 606-45 | Chain, RC60 - 1 x 42P (incl. Ref. 37) | 52 | 20 | 108-34 | Washer .47 x .94 x .06 Zn |
| 17 | 2 | 606-46 | Chain, RC60 - 1 x 64P (incl. Ref. 37) | 53 | 20 | 112-181 | HHCS 7/16-20 x 1.5 Gr5 Zn |
| 18 | 4 | 107-10 | Retaining Ring SH-0125-PA | 54 | 2 | 112-60 | SHSS 1/4-28 x 1/2 Cup Pt. |
| 19 | 5x6 | 103-80 | Stud, Wheel 7/16-20 x 1.125 #B271 | 55 | 2 | 642-47 | Tie Down Bracket |
| 21a | 2/6 | 810-75 | Axle Ass'y - Mid (incl. Ref. 19) | 56 | 1 | 613-127 | Magnet, Speedometer |
| 21b | 4 | 810-73 | Axle Ass'y - Front/Rear (650 only) | 57 | 6 | 606-89 | Carrier, Axle Bearing |
| 22 | 2 | 606-78 | Shaft, Idler - 10T #60 Weldment | | | | |
| 23 | 2 | 606-81 | Sprocket, Idler S60 x 20T | | | | |
| 24 | 8 | 606-34 | Sprocket, S60 x 19T | | | | |
| 25 | 6 | 112-03 | SHSS 5/16-18 x 3/8 1/2 DOG, PL | | | | |
| 26 | 2 | 803-62 | Chain, RC60-1 x 34P Idler, Lambda | | | | |
| 27 | 10 | 112-31 | HHCS 3/8-16 x 1.0 2B Gr8 Zn | | | | |
| 28 | 1 | 103-82 | HHCS 3/8-16 x 1.5 Gr5 Zn | | | | |
| 29 | 4 | 112-61 | C/Bolt 3/8-16 x 1.25 Gr5 Zn | | | | |
| 30 | | 127-80 | Link, Half - RC60 - 1 (opt.) | | | | |
| 31 | 2 | 606-47 | Chain, RC60-1 x 96P (incl. Ref. 37) | | | | |
| 32 | 5x6 | 117-35 | Nut, Wheel 7/16-20 Zn | | | | |
| 33 | 6 | 125-26 | Valve, Tire | | | | |
| 34 | 6 | 125-13BL | Rim - 8x7, 5 Bolt - Black | | | | |
| 35 | 6 | 127-158 | Tire, Argo 24 x 10-8 | | | | |
| 36 | 4 | 100-01 | Pin, Cotter 1/8 x 1.50 Zn | | | | |

9.0 Fuel System & Seat Assembly 6x6 Frontier Parts Manual

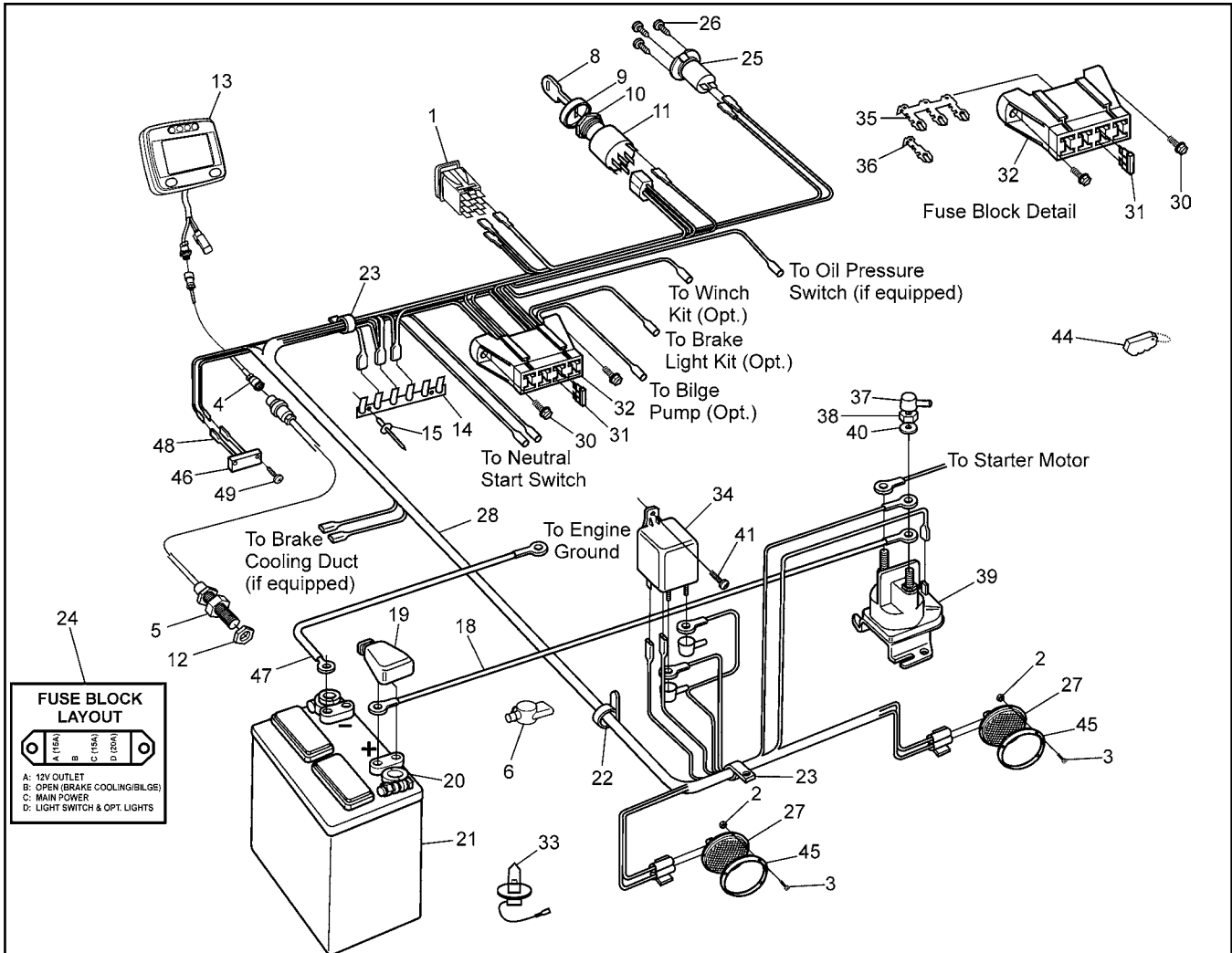


6x6 Frontier Parts Manual 9.0 Fuel System & Seat Assembly

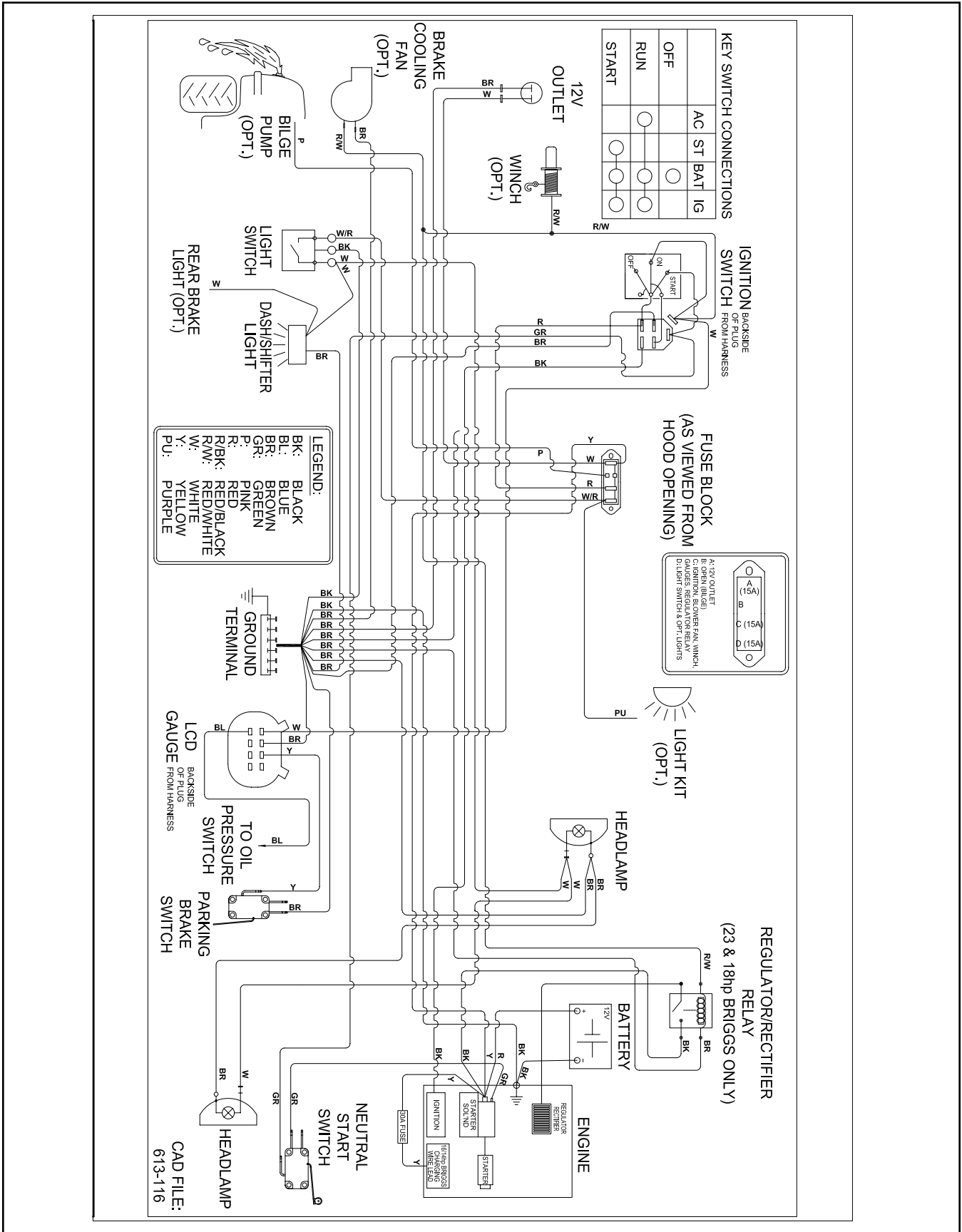
| Ref. | Qty. | Part # | Description |
|------|------|----------|---|
| 1 | 8 | 108-03 | Lockwasher 1/4 Split Ring Zn |
| 2 | 1 | 608-74 | Frame Assembly, Seat |
| 3 | 4 | 112-04 | HHCS 1/4-20x3/4 Gr2 Zn |
| 4 | 2 | 112-78 | Clamp, Hose, 9/16 |
| 5 | 1 | 608-59 | Neck Assembly, Vented Filler |
| 6 | 1 | 608-76 | Frame Assembly, Backrest |
| 7 | 1 | 608-39 | Back pad Assembly |
| 8 | 1 | 608-91 | Tank, Fuel |
| 9 | 2 | 103-77 | HHCS, 1/4-28 x 2.0 |
| 10 | 2 | 117-01 | Locknut, Nylon 1/4-28 Zn |
| 11 | 1 | 608-54 | Toolbox |
| 12 | 1 | 127-54 | See Section 10.0 Electrical System |
| 13 | 1 | 608-55 | Cover, Battery |
| 14 | 1 | 608-88 | Seat Assembly, Bench - Thick |
| 15 | 2 | 608-81 | Hinge, Seat, Bolted |
| 16 | 2 | 104-43 | Pin, 3/16" x 1-1/8" |
| 17 | 4 | 702-06 | Foam Cushion |
| 18 | 1 | 608-56 | Strap, Battery |
| 19 | 17 | 120-09 | Rivet 3/16x1 - Black |
| 20 | 4 | 112-79 | Clamp, Hose, 1/2" - Black |
| 21 | 1 | 808-133 | Reducer, 5/16" to 1/4" Barbed |
| 22 | 8 | 120-04 | Washer .19 x .50 x .08 Zn |
| 23 | 2 | 100-12 | Clamp, Gear 2.25" HF-36 |
| 24 | 1 | 125-94 | Hose, Filler |
| 25 | 10 | 112-07 | RHMS 10-24 x 1.50 Zn |
| 26 | 1 | 126-46 | Cap, Fuel |
| 27 | 1 | 127-21 | Hose, Vent - 109" |
| 28 | 1 | 126-50 | Male Connector, 1/4" |
| 29 | 6 | 126-94 | Clamp, Nylon Wire - 1/4" ID |
| 30 | 10 | 108-42 | Washer .21 x 1.0x.06 Zn |
| 31 | 14 | 117-10 | Locknut, Nylon #10-24 Zn |
| 32 | 1 | 117-54 | Nut, Locking PAL 1/2-20 Zn |
| 33 | 7 | 126-93 | Clamp, Nylon Wire - 1/2" ID |
| 34 | 2 | 120-15 | Rivet, 1/8 x 7/16 |
| 35 | 1 | 126-11 | Spring |
| 36 | 2 | 112-41 | PHMS, Phil 1/4-20 x 1.25 Zn |
| 37 | 4 | 103-03 | PHMS, Phil 1/4-20 x 1.50 Zn |
| 38 | 2 | 117-64 | Insert, 1/4-20 Steel Cad Pltg. |
| 39 | 4 | 120-13 | Rivet, 3/16 x 3/4 Black |
| 40 | 1 | 808-123 | Plug, Nylon, 1/4 - NPT |
| 41 | 2" | 608-69RM | Hose, Fuel - 5/16" ID Carb |
| 42 | 4 | 120-31 | Rivet, 3/16" x 1/4, Open End |
| 43 | 1 | 608-127 | Pick-up, Fuel, 5/16 105 Mesh |
| 45 | 1 | 608-66 | Hose, Fuel 1/4" ID, 80" |

10.0 Electrical System

6x6 Frontier Parts Manual



| Ref. | Qty. | Part # | Description | Ref. | Qty. | Part # | Description |
|------|------|---------|---------------------------------|------|------|---------|------------------------------------|
| 1 | 1 | 613-153 | Switch, Light | 25 | 1 | 613-90 | Outlet, 12 V DC * |
| 2 | 8 | 117-93 | Nut, Speed #10 | 26 | 3 | 112-139 | #4 Phil Drive Oval Head Screw, Blk |
| 3 | 8 | 112-198 | T/S Pan Hd Phil #10 x 1.25 Blk. | 27 | 2 | 613-159 | Headlight - 3.75W |
| 4 | 1 | 613-128 | Cable, Extension, Speedo Pickup | 28 | 1 | 613-116 | Wire Harness |
| 5 | 1 | 613-126 | Sensor, Speedo Pickup | 30 | 2 | 112-51 | Screw, IHWH T/C #10-24x5/8 |
| 6 | 1 | 613-124 | Insulator, 2 Way w/cap, Red | 31 | 3 | 118-49 | Fuse, 15 A 2-prong (AT015) |
| 7 | 1 | 118-30 | Terminal, Eye - #10 | 32 | 1 | 118-60 | Block Fuse - 8 position (4 fuse) |
| 8 | 2 | 127-108 | Key, Molded | 33 | 2 | 127-46 | Bulb, Headlight - Halogen |
| 9 | 1 | 127-107 | Cover, Nut | 34 | 1 | 613-98 | Relay, 80 Amp (if equipped) |
| 10 | 1 | 127-106 | Nut, Flanged - Plastic | 35 | 1 | 118-63 | Terminal, Fuse - Triple |
| 11 | 1 | 127-105 | Switch - Ignition | 36 | 5 | 118-62 | Terminal, Fuse - Single |
| 12 | 1 | 117-87 | Nut, M12 x 1.25, Zn | 37 | 3 | 613-45 | Insulator, Terminal (6 ga.) |
| 13 | 1 | 613-119 | Gauge, LCD | 38 | 3 | 117-20 | Nut, Fin. Hex 1/4-20 Zn |
| 14 | 1 | 613-37 | Terminal Strip, Ground | 39 | 1 | 613-68 | Starter Relay |
| 15 | 2 | 120-15 | Rivet 1/8 x 7/16 | 40 | 1 | 108-03 | Lockwasher 1/4 Split Ring Zn |
| 18 | 1 | 613-94 | Wire, Positive Battery | 41 | 1 | 103-48 | T/S Pan Hd Phil #10x5/8 A Blk |
| 19 | 1 | 127-55 | Cap, Battery Terminal - Red | 44 | 1 | 681-00 | FOB, Key - Floating |
| 20 | 2 | 127-56 | Terminal, Battery Post | 45 | 2 | 613-152 | Bezel, Headlamp |
| 21 | 1 | 127-54 | Battery, Exide 45-60 | 46 | 1 | 613-99 | Light, Shifter Illumination * |
| | 1 | 613-161 | Battery, Optima - Argo (Opt.) | 47 | 1 | 613-95 | Wire, Negative Battery |
| 22 | 8 | 100-64 | Tie Wrap - 5.5" - Black | 48 | 2 | 118-69 | Terminal, 3/16 Male Blade 22 Ga * |
| 23 | 13 | 126-93 | Clamp, Nylon Wire - 1/2" ID | 49 | 2 | 112-139 | OHPS T/S #4 x 5/8 Black Zn * |
| 24 | 1 | 127-154 | Label, Fuse Panel | | | | * 6x6 Frontier 650 only |



ARGO Products Manufactured by:

Ontario Drive & Gear Limited

220 Bergey Court

New Hamburg, Ontario

Canada N3A 2J5

Phone: (519) 662-2840

Fax: (519) 662-2421

www.argoatv.com

ODG *Dedicated to quality and performance*