

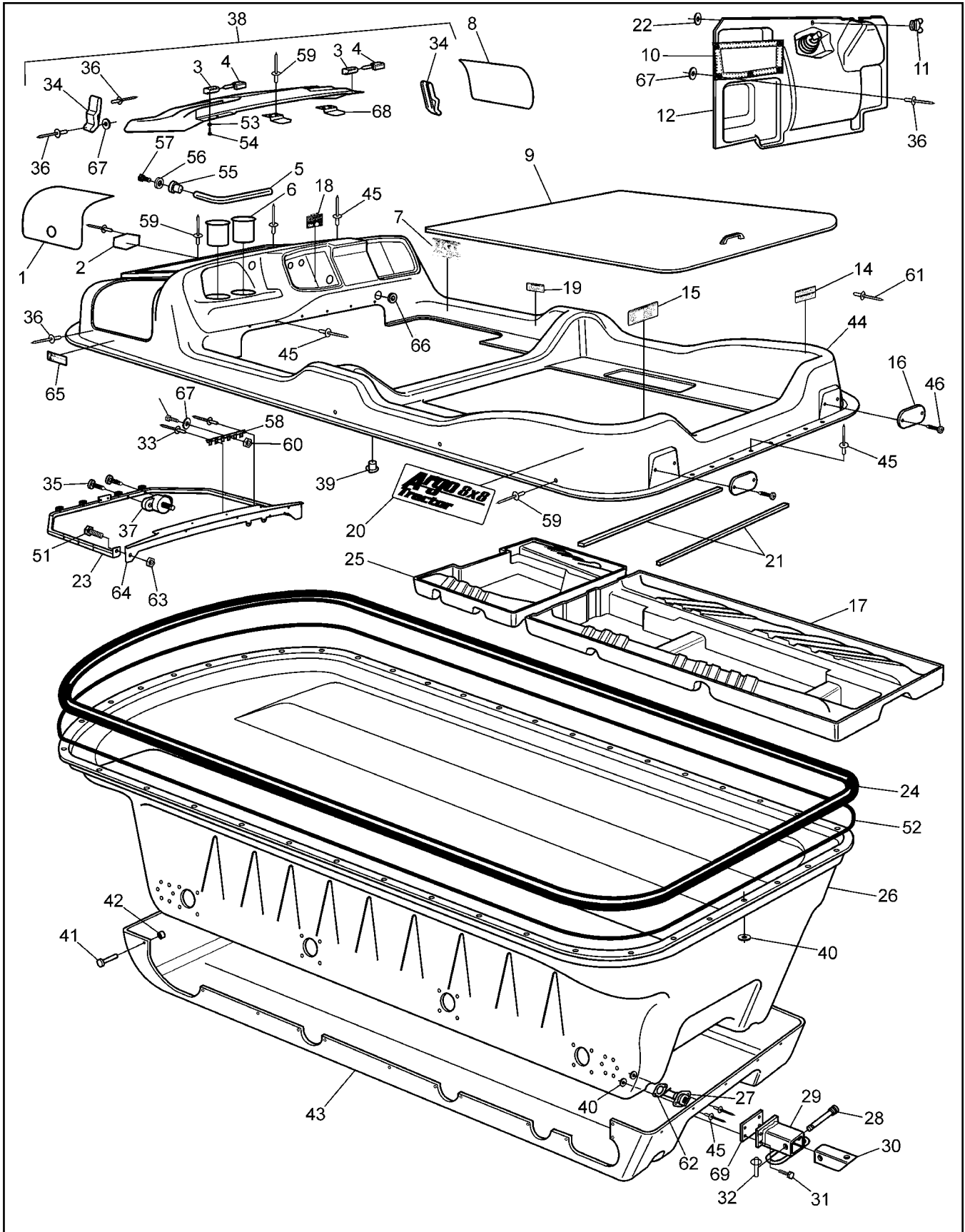
Argo
Tractor



PARTS MANUAL INSERT

7.0 Vehicle Body & Firewall

Tractor Parts Manual



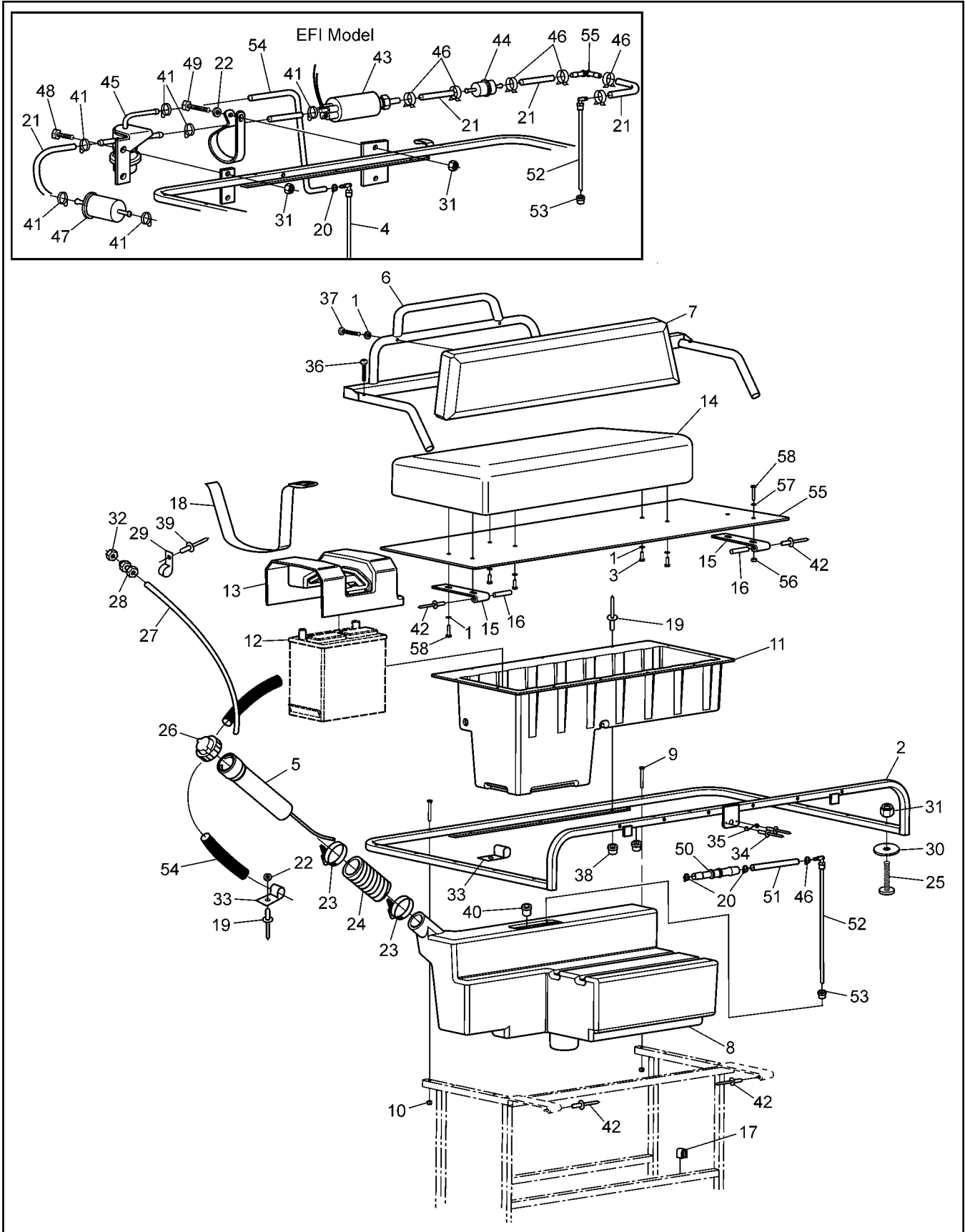
Tractor Parts Manual

7.0 Vehicle Body & Firewall

Ref.	Qty.	Part #	Description	Ref.	Qty.	Part #	Description
1	1	707-43	Screen - Exhaust - Avenger	38	1	602-47	Hood Kit - Avenger (spec. colour) (incl. 3, 4, 34, 36, 53, 54, 59, 67, 68)
2	1	601-44	Nameplate, "Argo"				
3	2	127-45B	Knuckle, Hinge	39	2	117-44	T- Nut 1/4-20 Zn
4	2	127-45A	Pin, Hinge	40	86	120-04	Washer .19 x .50 x .08 Zn
5	1	601-101	Tube, Dash Handle	41	32	120-27	Pin, Magna Grip
6	2	100-109	Cup holder Insert	42	32	120-28	Collar, Magna Grip
7	1	126-68	Plate, Operation	43	1	801-51	Skid Plate, 8x8 - Black
8	1	707-42	Screen, Intake	44	1	801-52	Body & Hood, Upper - Avenger (spec. colour) (incl. 23, 33, 34, 38)
9	1	821-08	Cover Ass'y, Cargo Section				
	1	821-09	Cover Ass'y, Cargo Section, 6x6	45	109	120-09	Rivet 3/16 x 1 - Black
10	1	100-108	Mesh, Glove Box	51	2	112-04	HHCS 1/4-20 x 3/4 Gr2 Zn
11	1	126-10	Wing Stud	52	1	126-60	Vinyl Strip, 1/2" x 1/4" x 37.5'
12	1	803-60	Firewall, Avenger	53	8	108-59	Lockwasher #10 Int. Tooth Zn
14	1	126-67	Plate, Floor Pan	54	9	103-47	HHCS 10-24 x 1/2
15	1	127-173	Plate, Vehicle Capacity	55	1	113-12	Insert, 1/2-13
16	2	127-01	Reflector, Red	56	1	108-35	Washer .53 x 1.06 x .09 Zn
17	1	803-58	Floor Pan, Rear - Avenger	57	1	112-151	HHCS 1/2-13 x 1" Gr2 Zn
18	1	127-141	Label, Caution - Keyswitch	58	1	613-37	Terminal Strip, Ground
19	1	126-69	Plate, Fuel	59	13	120-13	Rivet, 3/16 x 5/8 Black
20	2	127-175	Nameplate - Tractor 750 EFI	60	1	117-10	Locknut, 10-24 N/I Zn
	2	127-176	Nameplate - Tractor 700	61	38	120-24	Rivet, 3/32 x 3/8 Alum. (all plates)
	2	127-177	Nameplate - Tractor 650 8x8	62	2	100-114	Gasket, Drain Plug
	1	127-178L	Nameplate - Tractor 650 6x6-L	63	2	117-82	Locknut, Flange 1/4-20 Zn
	1	127-178R	Nameplate - Tractor 650 6x6-R	64	1	602-51	Frame Ass'y, Hood - Rear
21	2	601-09	Trim, Vinyl - 28"	65	1	127-144	Label, Warning - HOT
22	1	126-09	Grommet, Alum. Flattened Half	66	1	128-26	Grommet, 1-1/2ID x 1-3/4x1/4
23	1	602-49	Frame Ass'y, Hood - Front	67	6	120-05	Washer, .19 x .50 x .04 Zn
24	1	801-05	Bumper, Vinyl - 8x8	68	2	602-52	Clip, Hood - Avenger
25	1	803-59	Floor Pan, Front - Avenger	69	1	616-20	Gasket, Rear Hitch
26	1	801-50	Body, Lower - Avenger				
27	2	100-107	Plug, Drain - Flanged				
28	1	104-13	Pin, Toplink - 3/4 x 2.75				
29	1	616-16	Hitch Assembly				
30	1	616-19	Tube, Hitch				
31	4	103-61	HHCS 3/8-24 x 1.5 Gr5 Zn				
32	1	104-11	Pin, Lynch - Ring				
33	6	120-15	Rivet - 1/8 x 7/16				
34	3	602-56	Latch, Hood - Soft Draw				
35	4	112-180	Screw, Self-Drilling, #8x3/4				
36	27	120-11	Rivet 5/32 x 9/16 - Black				
37	1	613-123	Post, Power, 5/16-18, Red				

9.0 Fuel System & Seat Assembly

Tractor Parts Manual



Ref.	Qty.	Part #	Description
1	14	108-03	Lockwasher 1/4 Split Ring Zn
2	1	608-61	Frame Assembly, Seat
3	8	112-04	HHCS 1/4-20x3/4 Gr2 Zn
4	1	608-86	Pick-up, Fuel, 1/4"x 6.75" (Return Tube)
5	1	608-59	Neck Assembly, Vented Filler
6	1	821-03	Backrest Ass'y - Trailer
7	1	608-92	Back Pad Assembly - Black
8	1	608-91	Tank, Fuel - Avg
9	2	103-77	HHCS, 1/4-28 x 2.0
10	2	117-01	Locknut, Nylon 1/4-28 Zn
11	1	608-54	Toolbox
12	1	127-54	See Section 10.0 Electrical System
13	1	608-55	Cover, Battery
14	1	821-04	Seat Pad Assembly, Single
15	2	608-81	Hinge, Seat, Bolted
16	2	104-43	Pin, 3/16" x 1-1/8"
17	4	702-06	Foam Cushion
18	1	608-56	Strap, Battery
19	17	120-09	Rivet 3/16x1 - Black
20	4	112-79	Clamp, Hose, 1/2" - Black
21	1	608-69	Hose, Fuel 5/16" ID x 7.5' - Carb
22	9	120-04	Washer .19 x .50 x .08 Zn
23	2	100-12	Clamp, Gear 2.25" HF-36
24	1	125-94	Hose, Filler
25	10	112-07	RHMS 10-24 x 1.50 Zn
26	1	126-46	Cap, Fuel
27	1	127-21	Hose, Vent - 109"
28	1	126-50	Male Connector, 1/4"
29	6	126-94	Clamp, Nylon Wire - 1/4" ID
30	10	108-42	Washer .21 x 1.0x.06 Zn
31	14	117-10	Locknut, Nylon #10-24 Zn
32	1	117-54	Nut, Locking PAL 1/2-20 Zn
33	7	126-93	Clamp, Nylon Wire - 1/2" ID
34	2	120-15	Rivet, 1/8 x 7/16
35	1	126-11	Spring
36	1	112-41	PHMS, Phil 1/4-20 x 1.25 Zn
37	2	103-03	PHMS, Phil 1/4-20 x 1.50 Zn
38	2	117-64	Insert, 1/4-20 Steel Cad Pltg.
39	4	120-13	Rivet, 3/16 x 5/8 Black
40	1	808-123	Plug, Nylon, 1/4 - NPT
41	7	100-101	Clamp, Gear 1/2" HF or MH-4
42	4	120-31	Rivet, 3/16" x 1/4, Open End
43	1	24 393 52	Fuel Pump, EFI
44	1	608-71	Filter, Fuel, 5/16" ID
45	1	24 403 16	Regulator, Fuel Pressure
46	2	112-78	Clamp, Hose, 9/16
47	1	24 050 03	Filter, Fuel Line - EFI - c/w engine
48	2	103-47	HHCS, 10-24 x 1/2
49	2	112-182	HHCS, 10-24 x 3/4 Gr2 Zn
50	1	808-133	Reducer, 5/16" to 1/4" Barbed
51	2"	608-69RM	Hose, Fuel - 5/16" ID Carb
52	1	608-89	Pick-up, Fuel, 5/16 x 11.75"
53	1	608-90	Grommet, 5/16" Tube, 3/4" Hole
54	1	608-66	Hose, Fuel 1/4" ID, 80"
55	1	821-06	Seat Base, Tractor
56	2	108-08	Washer .28 x .62 x .07 Zn
57	2	117-27	Locknut, Nylon 1/4-20 Zn
58	4	103-08	HHCS 1/4-20x1.0 Zn