

Argo 8x8
Avenger 750 EFI



Argo 8x8
Avenger 700

Argo 8x8

Avenger

PARTS MANUAL

From Serial # ...31412

Foreword

ODG has prepared this parts manual for the AVENGER model to assist both qualified mechanics and vehicle owners in ordering correct, quality replacement ARGO parts. For the most current parts manual visit our website at www.argoatv.com.

Proper and regular service, and replacing old, worn or broken parts with the correct ARGO replacement parts, are both essential to prolonging the life of the ARGO. Please refer to this parts manual and/or our website www.argoatv.com before ordering any replacement part.

All information contained in this AVENGER Parts Manual is based on the latest product specification available at time of printing. If your AVENGER differs from the specifications contained in this manual, check our website www.argoatv.com for the most current information.

ODG reserves the right to alter specifications on the AVENGER model at any time, without obligation or prior notification.

Reproduction of this AVENGER Parts Manual, in whole or in part, is prohibited without prior written permission from Ontario Drive & Gear Limited.

Vehicle Identification

AVENGER - Serial Nos. ...31412

Explanation of Parts Manual Format

Ref - Reference number between assembly diagram and component parts list

Part No. - Argo replacement part number for identification and re-ordering

Description - Part description for identification and re-ordering

Qty - Indicates the quantity of a part used in an assembly

Argo 8x8 ***Avenger 750 EFI***

Argo 8x8 ***Avenger 700***



Using the Parts Manual

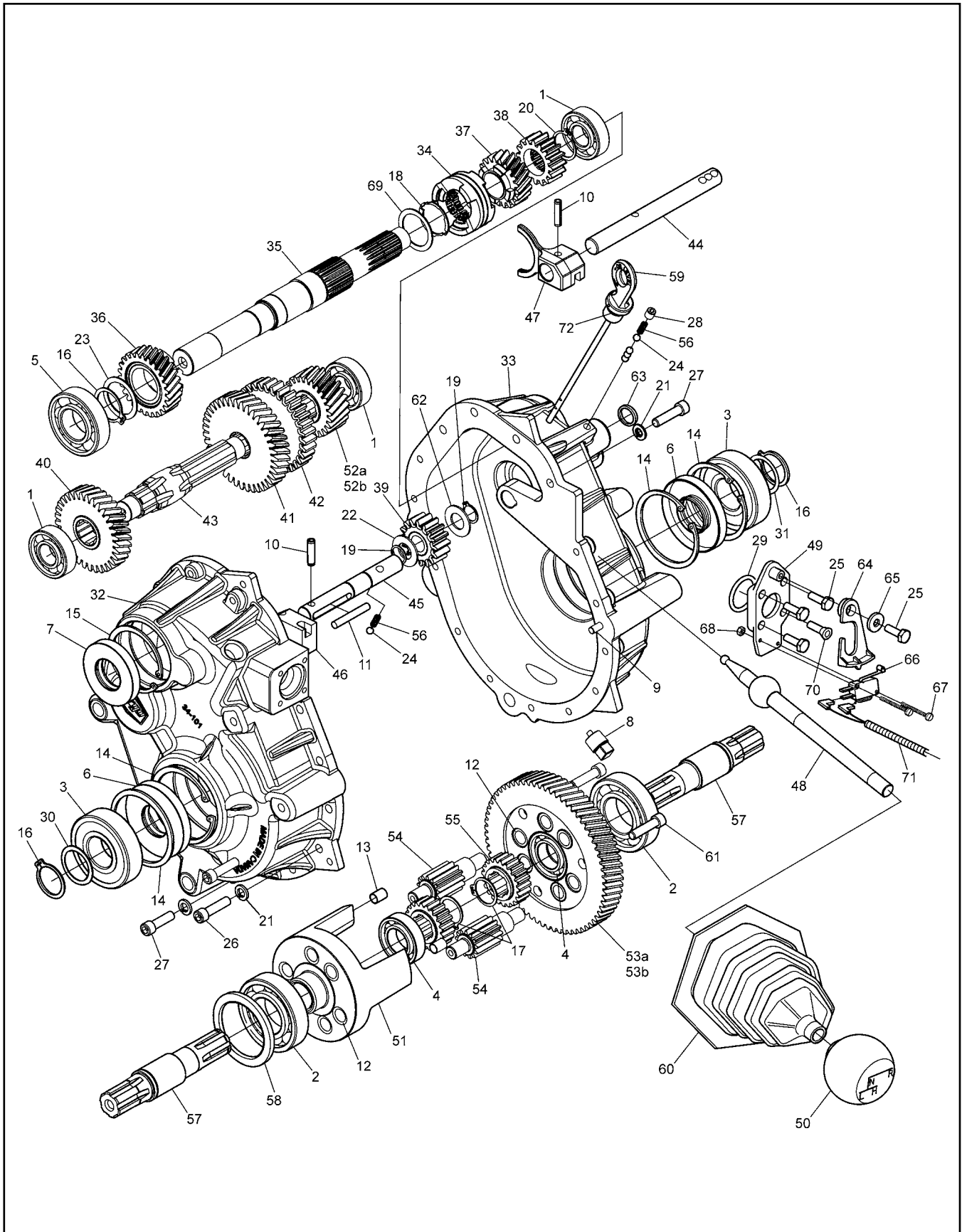
1. Find the major vehicle assembly in the Table of Contents on this page, and turn to that section.
2. Locate the part in the illustration that you wish to order.
3. Refer to the parts list in that section.
4. Find the correct part number (Part No.), part description (Description) and correct quantity (Qty).
5. Use *only* this information to order ARGO replacement parts. **DO NOT** attempt to order a replacement part by reference number or page number.

Table of Contents

Foreword	i
Vehicle Identification.....	i
Using the Parts Manual	ii
1.0 Transmission	1
2.0 Intake and Exhaust System.....	3
3.0 Clutch System	5
4.0 Power Pack Assembly	7
5.0 Steering & Brake System	9
6.0 Parking Brake	11
7.0 Vehicle Body & Firewall.....	13
8.0 Frame & Drive System	15
9.0 Fuel System & Seat Assembly	17
10.0 Electrical System.....	19

1.0 Transmission

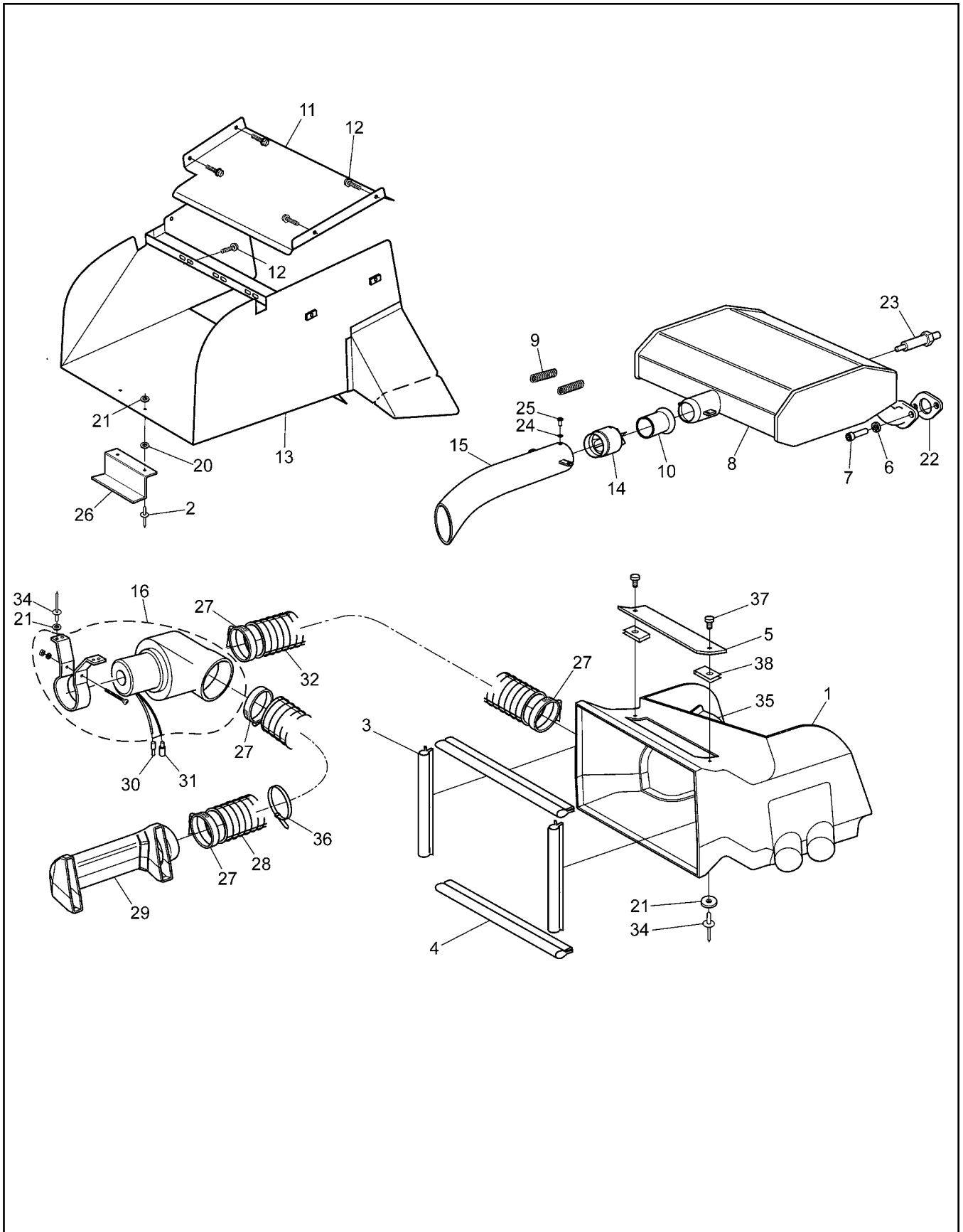
Avenger Parts Manual



Avenger Parts Manual

1.0 Transmission

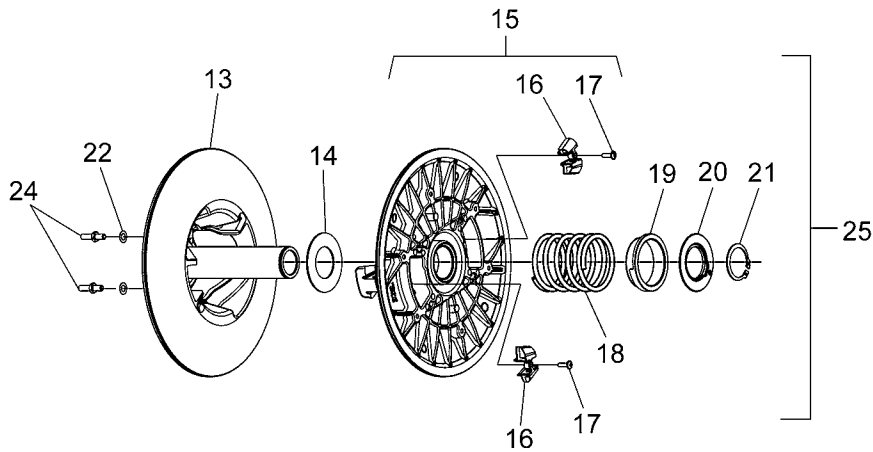
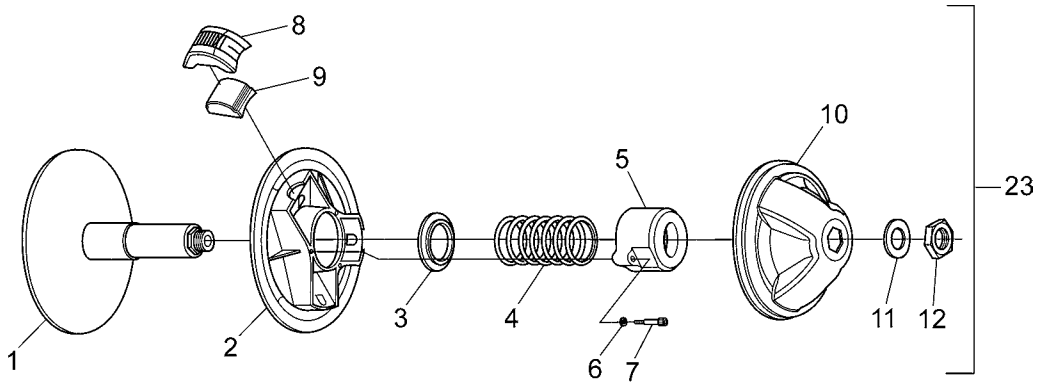
Ref.	Qty.	Part #	Description	Ref.	Qty.	Part #	Description
	1	34-100	Transmission Assembly	40	1	34-109	Gear, Helical - HI 12DP 33T
	1	34-100-3.3	Transmission Assembly	41	1	34-110	Gear, Helical - LOW 12DP 39T
1	3	101-01	Bearing, Ball 6204Z-C3	42	1	34-111	Gear, Reverse - 10DP 33T
2	2	101-03	Bearing, Ball 6207-C3	43	1	34-112	Shaft, Spline
3	2	101-05	Bearing, Ball 6306LLU-C3/2A	44	1	34-113	Shaft, Shift - Forward
4	2	101-15	Bearing, Ball 6005-C3	45	1	34-114	Shaft, Shift - Reverse
5	1	101-16	Bearing, Ball 6206-C3	46	1	34-115	Block, Shift
6	2	102-03	Seal,Oil WBS 30x72x10 NB D/LIP	47	1	34-116	Fork, Shift
7	1	102-05	Seal,Oil WBS 30x62x10 NB D/LIP	48	1	34-117	Lever, Shift
8	1	103-02	Plug, Magnetic 3/8-18NPT SQ.HD	49	1	34-131	Plate, Shifter
9	2	104-03	Pin, Dowel 1/4x7/8	50	1	34-121	Knob, Shift - w/Argo Logo
10	2	104-39	Pin, Spring - 1/4 x 1.0	51	1	34-122	Cage, Differential
11	1	104-40	Pin, Dowel - 1/4 x 1.75	52a	1	34-123	Pinion, Helical - 25T - 2.6
12	12	105-03	Bushing, Oilite - 1/2x3/4	52b	1	34-125	Pinion, Helical - 21T - 3.3
13	3	105-23	Bushing, Dowel - .312 x .5	53a	1	34-124	Gear Plate - 66T - 2.6
14	4	106-03	Retaining Ring HO-281PA	53b	1	34-126	Gear Plate - 70T - 3.3
15	1	106-05	Retaining Ring HO-244-PA	54	6	34-13	Gear, Planet - 12T
16	3	107-02	Retaining Ring SH-0118-PA	55	2	34-14	Gear, Sun - 21T
17	2	107-04	Retaining Ring SH-0098-PA	56	2	34-32	Spring, Comp. 0.22x.50
18	1	107-14	Retaining Ring LC-125-PA	57	2	34-98	Shaft, Output - Splined
19	2	107-11	Retaining Ring	58	1	114-01	Washer, Shim 2.25 x 2.81 x .02
20	1	107-15	Retaining Ring SHR-098-PA	59	1	CE-035	Dipstick - with Breather - 190mm
21	15	108-05	Lockwasher 5/16 Split Ring Zn	60	1	609-38	Boot, Shifter
22	1	108-78	Washer, Thrust	61	3	112-64	SHCS, 5/16-18 x 1.25
23	1	108-79	Washer, Thrust	62	1	108-88	Washer, Retaining Thrust
24	5	109-05	Ball, Steel 6mm 62-67 Rc	63	1	113-16	O-Ring #AS568-014-70BN 5/8"OD x 1/2"ID x 1/16" Thk
25	4	112-04	HHCS 1/4-20x3/4 Gr2 Zn	64	1	34-132	Follower, Neutral Start
26	14	112-143	SHCS 5/16 x 1.25 Zn	65	1	108-08	Washer, .28 x .62 x .07 Zn
27	1	112-144	SHCS 5/16 x 1.0 Zn	66	1	809-202	Switch, Limit - Two Pole
28	1	112-145	SHSS 5/16 - 18 X 3/8	67	2	112-172/PI	SHMS, #5-40x3/4 Zn
29	1	113-11	O-Ring #AS568-216-70BN	68	2	112-173/PI	Locknut, #5-40 Zn
30	1	114-04	Washer, Shim 1.19x1.50x.04	69	1	108-85	Washer, Retaining Thrust
31	1	114-05	Washer, Shim 1.19x1.50x.02	70	1	112-171	FHSC 1/4-20 x 3/4 Gr2 Zn
32	1	34-101	Housing, Transmission - L	71	1	613-112	Wire Harness, Neutral Start
33	1	34-102	Housing, Transmission - R	72	1	161-28	O-Ring, 3mm CS x 12mm ID
34	1	34-127	Clutch, Dog				
35	1	34-130	Shaft, Input - 19/15T Spline				
36	1	34-128	Pinion, Helical - HI 12DP 26T				
37	1	34-129	Pinion, Helical - LO 12DP 20T				
38	1	34-107	Pinion, Reverse - 10DP 16T				
39	1	34-108	Gear, Idler - Rev - 10DP 16T				



Ref.	Qty.	Part #	Description
1	1	809-03	Duct, Intake
2	2	120-13	Rivet, 3/16 x 3/4 - Black
3	2	809-05	Seal, Radiator - 10.25" LG
4	2	809-06	Seal, Radiator - 16.25" LG
5	1	601-111	Cover Plate, Intake Duct
6	4	108-05	Lockwasher 5/16 Split Ring Zn
7	4	112-30	SHCS M8 x 1,25 x 20mm Zn
8	1	607-142	Muffler Ass'y, Kohler 750 EFI
8a	1	607-143	Muffler Ass'y, Kohler 700
9	2	127-187	Spring, Extension - 17/32 x 3.75
10	1	607-135	Tube, Muffler, Flared x 2.0
11	1	607-168	Shield, Heat - Muffler, Avg
12	7	112-19	Screw, IHWH T/C Slot 1/4-20 x 1/2
13	1	607-167	Duct, Exhaust, Avenger
14	1	607-126	Spark Arrester, 1.75 Dia.
15	1	607-166	Pipe, Tail - Ass'y 8.00
16	1	127-184	Blower Fan
20	2	125-58	Washer, Fibre - W-77F
21	14	120-04	Washer, .19 x .50 x .08 Zn
22	2	24 041 49	Gasket, Exhaust Manifold
23	1		See Section 4.0 Power Pack Assembly
24	1	108-77	Lockwasher, #8 External Tooth
25	1	112-43	Screw IHWH #8 x 3/8
26	1	607-170	Support, Exhaust Duct - Avenger
27	4	125-35	Clamp, Gear 3.50" HF-52
28	1	127-139	Hose, Brake Fan Discharge
29	1	127-134	Duct, Brake Cooling
30	1	118-02	Terminal, Male #76-1251
31	1	118-03	Terminal, Female #76-1289
32	1	127-140	Hose, Brake Fan Inlet
34	13	120-09	Rivet, 3/16 x 1.0 Black
35	1	809-04	Shroud, Intake Duct
36	1	100-102	Tie Wrap, 14" - White
37	2	117-89	Thumbscrew, 1/4-20 x 1, Nylon
38	2	112-186	U-clip, Tapped 1/4-20 x .531

3.0 Clutch System

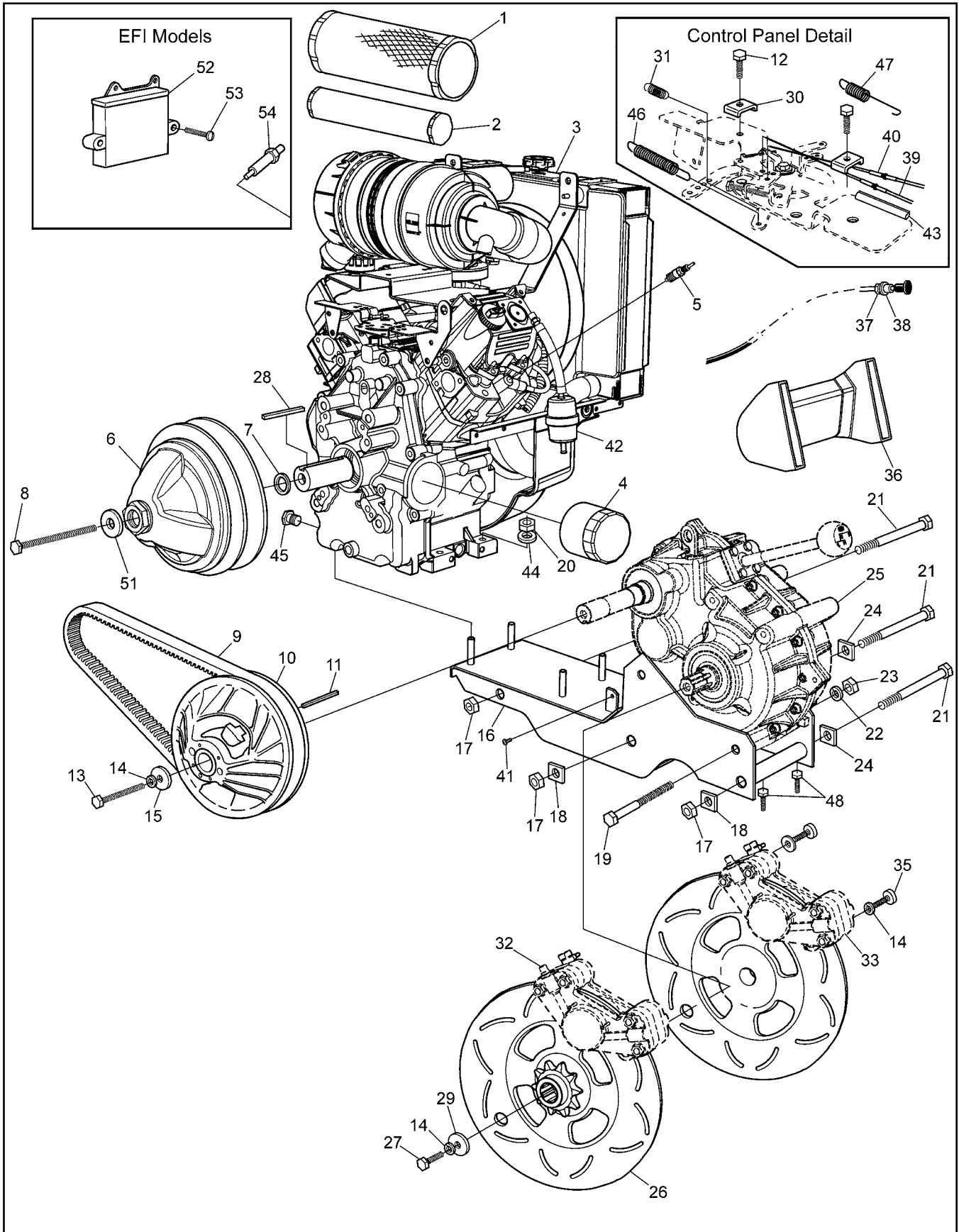
Avenger Parts Manual



Ref.	Qty.	Part #	Description
1	1	0405-0075	Flange, Fixed
2	1	0410-0026	Flange, Sliding
3	1	0150-1014	Spring Guide Washer
4	1	0451-1114	Spring
5	1	0440-0005	Spring Cover
6	3	0080-0167	Lockwasher
7	3	0080-0021	Screw, Cap
8	3	0130-3012	Block
9	3	0135-3065	Weight (275gr)
	3	0135-3062	Weight (240gr) - EFI Model
	1	127-208	Weight Set (3), 185g - High Elevation
	1	127-209	Weight Set (3), 220g - High Elevation
	1	127-210	Weight Set (3), 240g - High Elevation
10	1	0115-0047	Cap
11	1	0080-0153	Washer, Zn
12	1	0080-0100	Nut
13	1	5905-0003	Flange, Fixed
14	1	0080-0164	Washer, Shim
15	1	5910-0002	Flange, Sliding
16	3	5930-3001	Cam Shoe
17	2	0080-0031	Screw
18	1	5951-1009	Spring
19	1	5950-3003	Spring Protector
20	1	5950-3002	Spring Support
21	1	0080-0216	Retaining Ring, Outside
22	2	0080-0167	Lockwasher
23	1	127-157	Clutch, Driver - EFI Models
	1	127-135	Clutch, Driver
24	2	0080-0035	Screw & Nut Ass'y
25	1	127-156	Clutch, Driven - INVANCE

4.0 Power Pack Assembly

Avenger Parts Manual



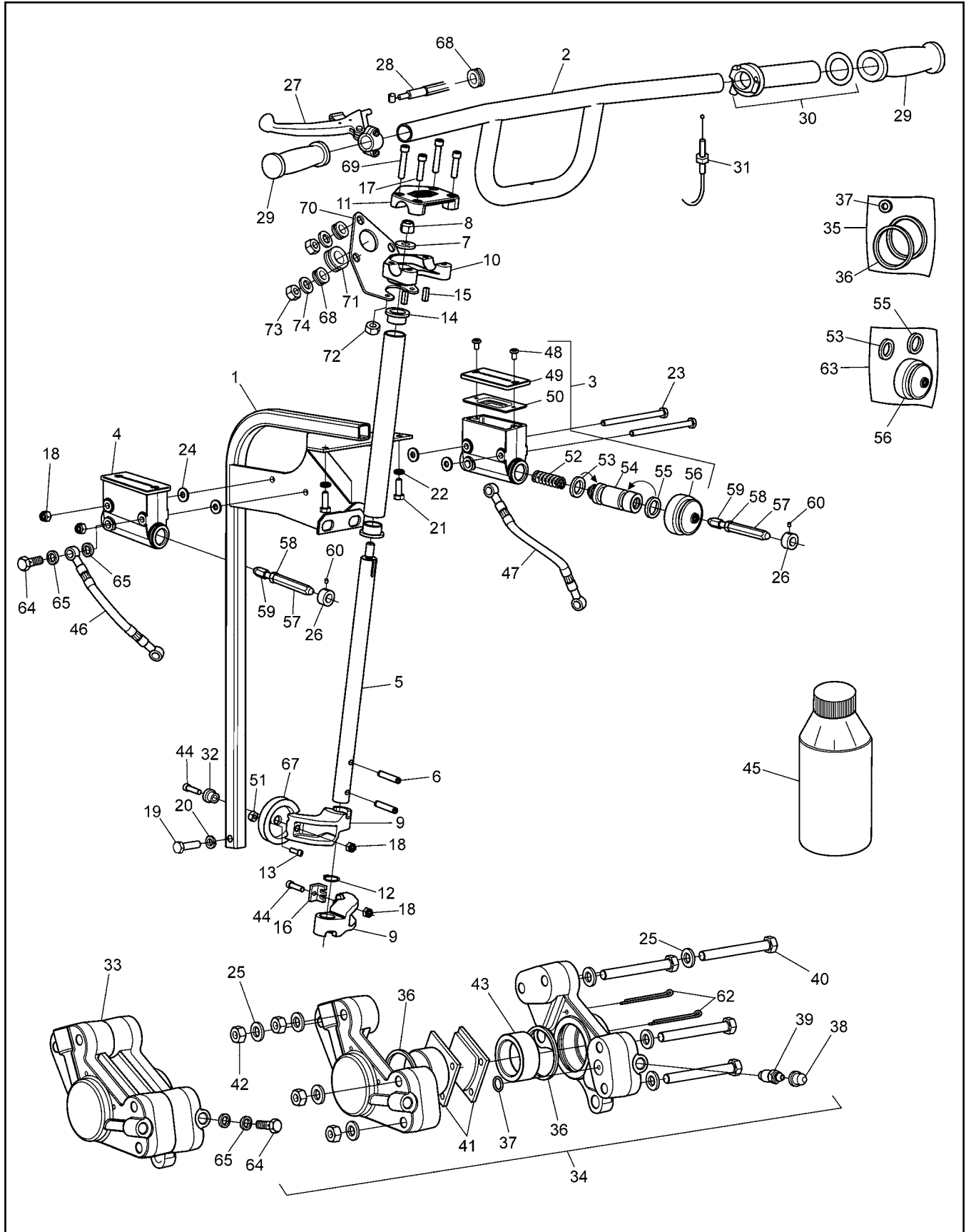
Avenger Parts Manual

4.0 Power Pack Assembly

Ref.	Qty.	Part #	Description	Ref.	Qty.	Part #	Description
1	1	25 083 01	Filter, Air	32			See Section 5.0 Steering & Brake System
2	1	25 083 04	Element, Inner	33			See Section 5.0 Steering & Brake System
3	1	LH690-3017	Kohler 26 HP Engine	35	4	103-41	SHCS 3/8-16 x 1.25 Zn
	1	LH775-3012	Kohler 31 HP Engine, EFI	36			See Section 2.0 Intake & Exhaust
	1	LH775-3012-CA	Kohler 31 HP Engine, EFI (for California)	37	1	117-68	Nut, Jam 3/8-24 UNF Zn
4	1	12 050 01	Filter, Oil	38	1	108-32	Lockwasher 3/8 Int. Tooth
5		127-193	Sparkplug, RC14YC	39	1	612-92	Cable Ass'y, Choke
6			See Section 3.0 Clutch System	40	1	612-116	Cable Asm., Throttle – Avenger
7	1	108-84	Washer, Engine Clutch	41	2	103-71	Screw, IHWH T/C 1/4-20 x 1.25 Zn
8	1	112-160	HHCS, 7/16-20 x 4.50" Lg	42	1	125-64	Filter, Fuel
9	1	127-137	Drive Belt - 10.5" Cen. Dist	43	1	607-172	Sleeve, Thermo Protect 1/2" ID
	1	127-137HD	Drive Belt - Avg/HDi Heavy Duty (Opt.)	44	4	108-26	Washer, .43 x 1.02 x .09 Zn
10			See Section 3.0 Clutch System	45		112-156	Plug, Oil Drain 3/8-18 NPT Hex
11	1	110-03	Key 1/4 x 3/16 x 2.375 RC46	46	1	24 089 46	Spring, Governer (Kohler #)
12	1	M-545016	Screw, Clamp Cable (Kohler #)	47	1	127-49	Spring, Extension
13	1	112-164	HHCS 3/8-16 x 3.5 Gr5 Zn	48	2	103-53	HHCS 3/8-16 x 3.0 Full Thread
14	7	108-06	Lockwasher 3/8 Split Ring Zn	51	1	108-58	Washer, .47 x 1.37 x 12 Hi-Carbon
15	1	108-46	Washer .40 x 1.37 x 1.2 Hi-Carbon	52	1	66 584 05	ECU (c/w engine)
16	1	806-35	Frame Ass'y - Power Pack	53	2	112-161	PHMS, 10-24 x 2.5
17	3	117-83	Locknut, Stover 5/8-11 Zn	54	1	24 418 05	02 Sensor
18	2	811-09	Washer, Square - .64 ID				
19	2	103-20	HHCS 1/2-13 x 6.5 Gr5 Zn				
20	4	117-29	Locknut, Nylon 3/8-16 Zn				
21	3	112-58	HHCS 5/8-11 x 7.5 Gr5 Zn				
22	2	108-07	Lockwasher 1/2 Split Ring Zn				
23	2	117-06	Nut, Fin Hex 1/2-13 Zn				
24	2	811-15	Washer, Square Lock .64 ID				
25			See Section 1.0 Transmission				
26	2	606-74	Disc, Brake-Splined #60-10T				
27	2	103-18	HHCS 3/8-24 x 1.25 Gr5 Zn				
28	1	110-18	Key 1/4 x 1/4 x 1.75				
29	2	108-18	Washer .40 x 1.37 x .12 Zn				
30	1	12 237 01	Clamp, Cable (Kohler #)				
31	1	24 089 51	Spring, Throttle (Kohler #)				

5.0 Steering & Brake System

Avenger Parts Manual



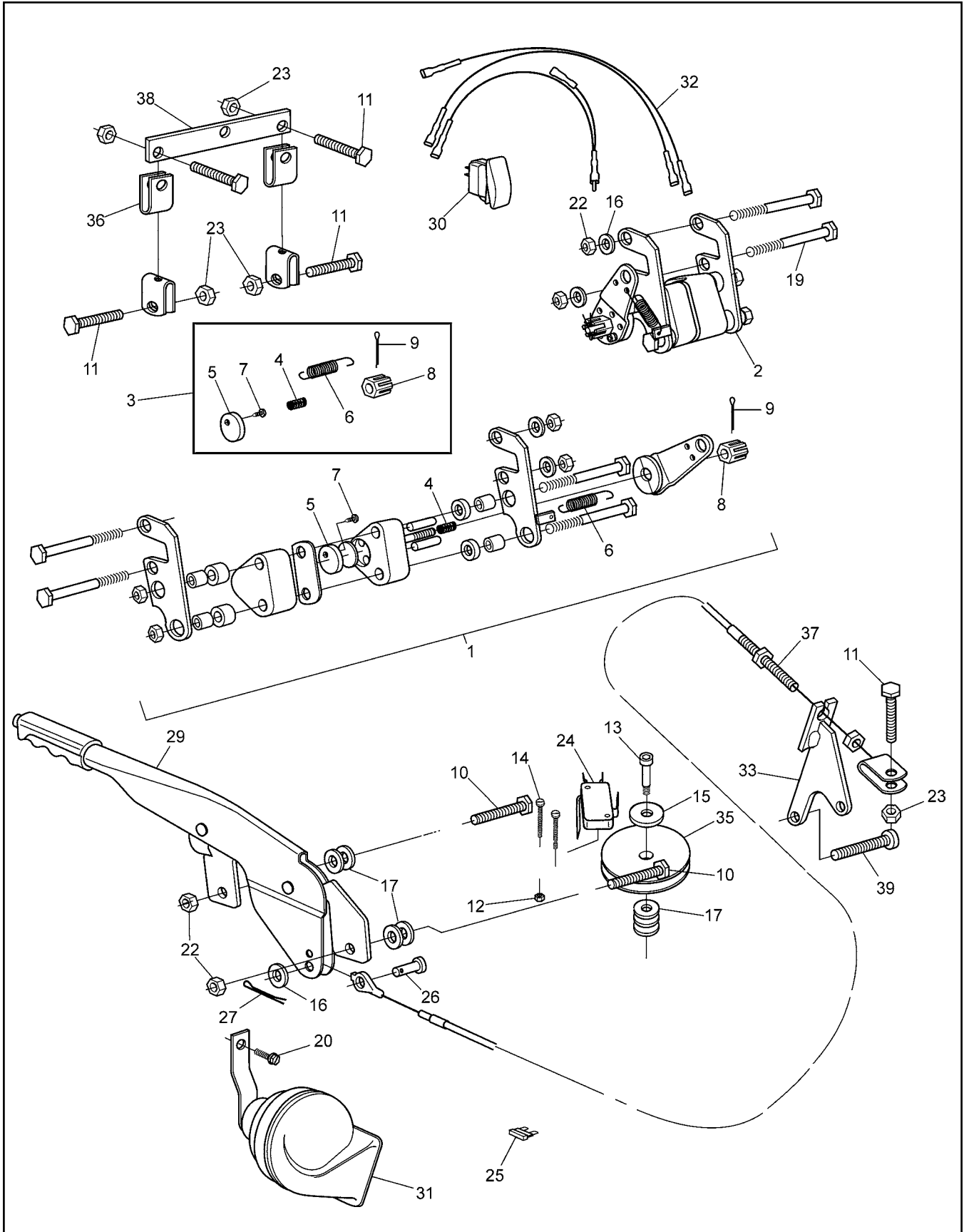
Avenger Parts Manual

5.0 Steering & Brake System

Ref.	Qty.	Part #	Description	Ref.	Qty.	Part #	Description
1	1	612-123	Frame Assembly, Steering Column	44	2	112-159	BHCS, 1/4-20 x 1.0, Plated
2	1	612-107	Handlebar Assembly	45		126-19	Fluid, Brake-Silicon Dot 5 - .35L
3	1	165-08	Master Cylinder, Grimeca - R	46	1	163-05	Hose Asm, Hydraulic - Left
4	1	165-07	Master Cylinder, Grimeca - L	47	1	163-06	Hose Asm, Hydraulic - Right - SS
5	1	612-128	Shaft, Steering - Avenger	48	2x2	160-42	Screw, FHMS M5 x 0,8 x 6mm
6	2	104-42	Pin, Spring 1/4 x 1.5"	49	2x1	168-08	Cover
7	1	108-47	Washer, .39 x .94 x .13 Zn Di-chr	50	2x1	168-09	Cover, Rubber
8	1	117-29	Locknut, Nylon 3/8-16 Zn	51	1	117-10	Locknut, 10-24 N/I Zn
9	2	612-124	Arm, Steering	52	2x1	162-08	Spring, Comp. 17.3 x 49.3mm
10	1	612-106	Clamp, Lower Handlebar	53	2x1		Seal, Primary, 19mm (See Ref. 63)
11	1	612-105	Clamp, Upper Handlebar	54	2x1	168-10	Piston 19mm dia.
12	1	106-07	Ring, Retaining SH-0075PA	55	2x1		Seal, Secondary, 19mm (See Ref. 63)
13	1	160-46	SHCS, #10-24 x 3/8"	56	2x1		Boot, Rubber (See Ref. 63)
14	2	105-16	Bushing, Oilite - 3/4 x 1/2	57	2	812-30	Pin, Female
15	2	110-17	Key, 3/16 x 3/16 x .625	58	2	117-03	Nut, Fin Hex 1/4-20 Zn
16	1	128-24	Retainer, Handbrake Cable	59	2	812-31	Fin, Male
17	2	112-47	SHCS, 1/4-20 x 1.0 Zn	60	2	112-02	SHSS 10-24x1/4 Knurl Cup PT, PL
18	4	117-27	Locknut, Nylon 1/4-20 Zn	62	2x2	168-07	Pin, Cotter 1/8 x 3.00 Zn
19	1	103-38	HHCS 5/16-18x1.25 Gr5 Zn	63	2x1	161-25	O-Ring Kit - Master Cylinder - Grimeca (incl. Ref. 53, 55 & 56)
20	1	108-05	Lockwasher, 5/16 Split-Ring Zn	64	4	160-44	Bolt, Banjo - M10 x 1,0 x 21,0
21	2	112-04	HHCS 1/4-20 x 3/4 Gr2 Zn	65	13	160-01	Washer, Copper - 1,5 x 10,0 x 14,0
22	2	108-03	Lockwasher 1/4 Split Ring Zn	67	1	165-18	Pulley, Handbrake Cable
23	2	103-66	HHCS, 1/4-20 x 4.0 Gr5 Zn	68	4	125-84	Grommet, Rubber
24	4	108-08	Washer, .28 x .62 x .04 Zn	69	2	103-69	SHCS 1/4-20 x 1.5 Zn
25	2x8	108-24	Washer, .34 x .70 x .06 Zn	70	1	612-132	Bracket, LCD Gauge - Painted
26	2	812-17	Collar	71	1	128-27	Grommet 1-1/4ID x 1-1/2x3/32
27	1	128-17	Lever Assembly, Handbrake, Spring	72	2	117-86	Nut, Acorn, 1/4-20 Zn
28	1	128-21	Cable Assembly, Handbrake	73	3	117-85	Nut, Acorn, M5 Zn
29	2	127-35	Grip, Molded	74	3	120-04	Washer .19 x .50 x.08 Zn
30	1	127-81	Throttle Twist Grip				
31	1	612-116	Cable Asm., Throttle				
32	1	105-25	Bushing, Flange Oilite FF-310				
33	1	166-10	Caliper, Hydraulic Brake - L w/o pads				
34	1	166-11	Caliper, Hydraulic Brake - R w/o pads				
35	2	161-05	O-ring Kit, Knott Caliper				
36	2		Seal, Piston				
37	2		Seal, Rubber				
38	2x1	168-20	Plug, Rubber				
39	2x1	168-02	Screw, Bleeding, Knott Caliper				
40	2x4	112-154	SHCS, 5/16-18 x 2.75 Zn				
41	1	170-03	Pad Set (4), Brake - Non-Asbestos				
42	2x4	117-03	Nut, Fin Hex 5/16-18 Zn				
43	2x2	168-01	Piston, Knott Caliper				

6.0 Parking Brake

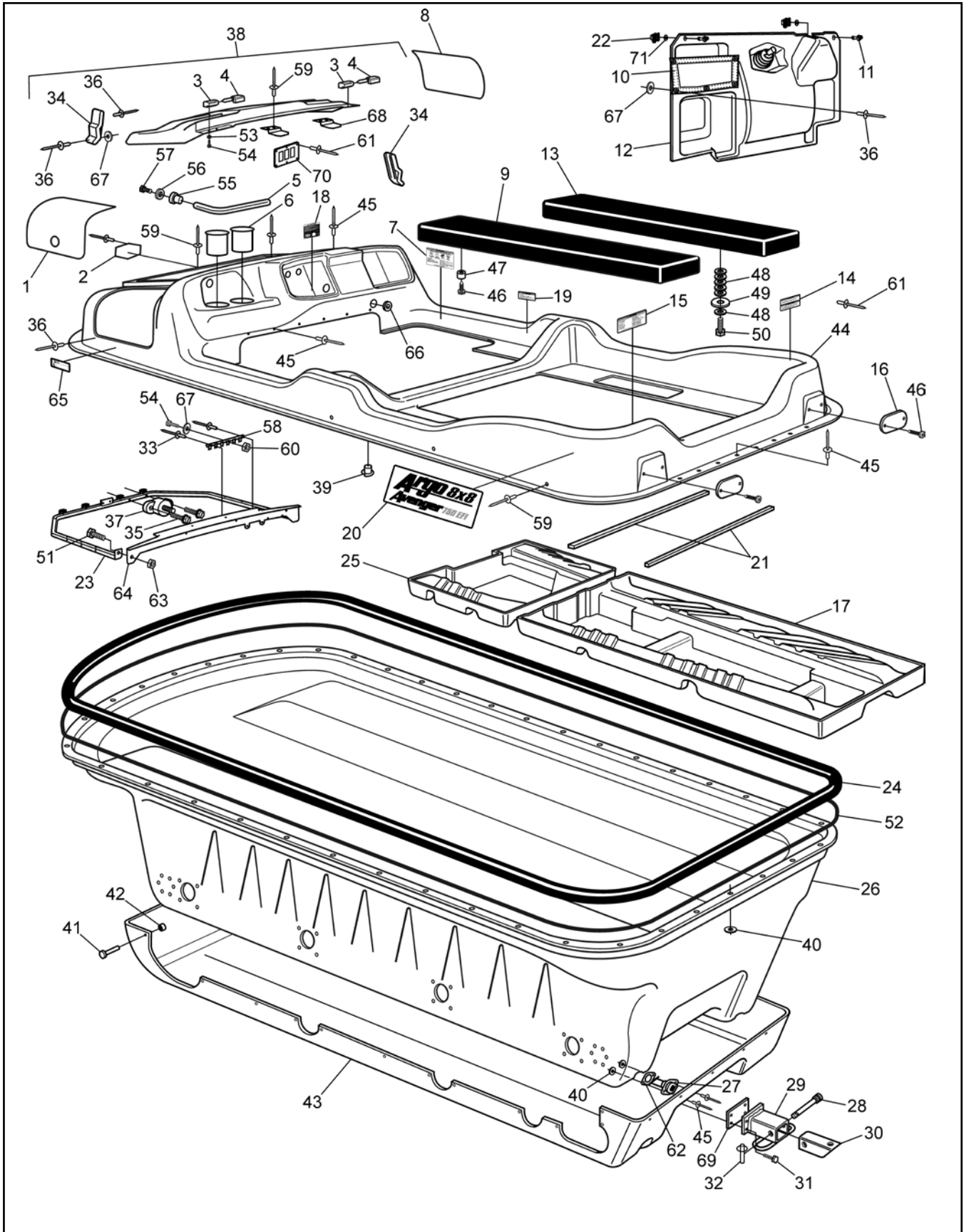
Avenger Parts Manual



Ref.	Qty.	Part #	Description
1	1	850-96	Caliper Ass'y, LH, Parking Brake
2	1	850-97	Caliper Ass'y, RH, Parking Brake
3	1	850-98	Kit, Service, Parking Brake (includes Ref. 4 - 9, not sold separately)
4	1		Cam Tension Spring (compression)
5	1		Left & Right Brake Pads
6	1		Cam Arm Spring (tension)
7	1		Brake Pad Retaining Screw
8	1		Castle Nut
9	1		Cotter Pin
10	2	103-06	HHCS 5/16-18x1.0 Gr5 Zn
11	5	103-08	HHCS 1/4-20x1.0 Zn
12	2	112-173	Locknut, #5-40, Zn
13	1	112-178	Bolt, Shoulder, 1/2 x 5/8
14	2	112-172	SHCS 5-40 x 3/4 Zn
15	1	108-35	Washer .53 x 1.06 x .09 Zn
16	5	108-24	Washer .34x.70x.06 Zn
17	7	108-47	Washer .39x.94x.13 Zn Di-Chro
18	1	117-10	Locknut, 10-24 N/I Zn
19	4	112-132	HHCS 5/16-18 x 3.25 Gr5 Zn
20	1	112-19	Screw,IHWH T/C Slot 1/4-20x1/2*
22	6	117-21	Locknut, Nylon 5/16-18 Zn
23	5	117-27	Locknut, Nylon 1/4-20 Zn
24	1	613-120	Switch, Micro, Lever
25	1	118-52	Fuse, 10A 2-Prong (AT010)*
26	1	104-27	Pin, Clevis 5/16x.75" Zn
27	1	100-100	Pin, Cotter 1/8x3/4 Zn
29	1	809-147	Lever, Parking Brake
30	1	848-175	Switch, Horn Momentary*
31	1	848-87	Horn, Electric*
32	1	848-176	Harness, Horn Momentary*
33	1	850-72	Bracket Asm, Parking/Brake
35	1	850-79	Pulley, Parking Brake Cable
36	2	850-80	Cable, Parking Brake Equalizer
37	1	850-81	Cable, Parking Brake
38	1	850-82	Flat Bar, Equalizer
39	1	112-143/PI	SHCS 5/16x1.25 Zn
			*If equipped

7.0 Vehicle Body & Firewall

Avenger Parts Manual



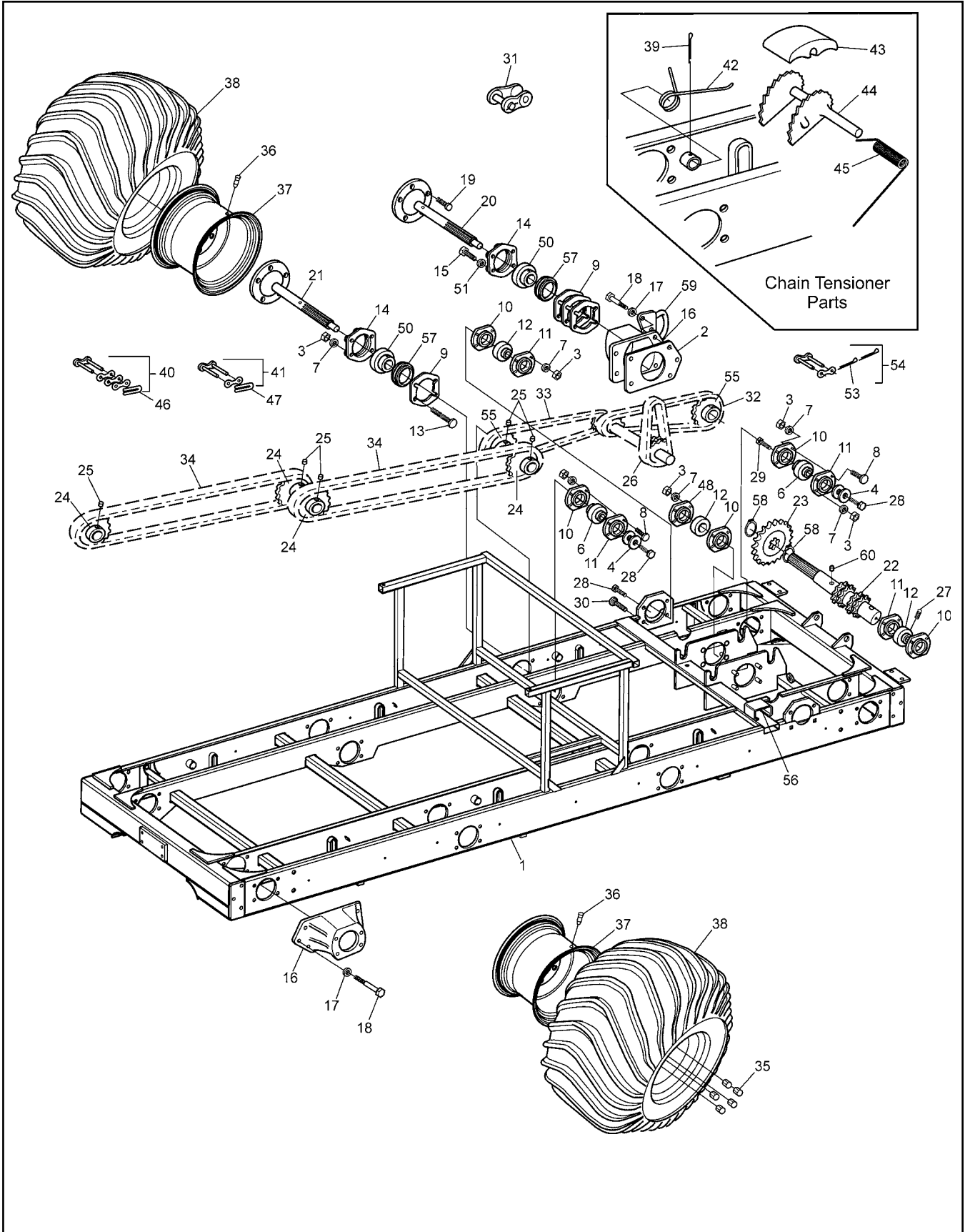
Avenger Parts Manual

7.0 Vehicle Body & Firewall

Ref.	Qty.	Part #	Description	Ref.	Qty.	Part #	Description
1	1	707-43	Screen - Exhaust - Avenger	40	86	120-04	Washer .19 x .50 x .08 Zn
2	1	601-44	Nameplate, "Argo"	41	32	120-27	Pin, Magna Grip
3	2	127-45B	Knuckle, Hinge	42	32	120-28	Collar, Magna Grip
4	2	127-45A	Pin, Hinge	43	1	801-51	Skid Plate, 8x8 - Black
5	1	601-101BL	Tube, Dash Handle	44	1	801-52	Body & Hood, Upper -
6	2	100-109	Cup holder Insert				Avenger (spec. colour) (incl. 23, 33, 34, 38)
7	1	126-68	Plate, Operation	45	109	120-09	Rivet 3/16 x 1 - Black
8	1	707-42	Screen, Intake	46	8	103-48	T/S Pan HD PHIL #10 x 5/8
9	1	608-64	Seat, Rear - Left	47	4	126-79	Bumper, Plastic - Black
10	1	100-108	Mesh, Glove Box	48	24	108-25	Washer .31 x .75 x .06 Zn
11	2	112-199	Stud, Q-Turn - Long	49	4	603-15	Washer, Plastic 5/16 Hole
12	1	803-60	Firewall, Avenger	50	4	103-08	HHCS 1/4-20 x 1.0 Zn
13	1	608-65	Seat, Rear - Right	51	2	112-04	HHCS 1/4-20 x 3/4 Gr2 Zn
14	1	126-67	Plate, Floor Pan	52	1	126-60	Vinyl Strip, 1/2" x 1/4" x 37.5'
15	1	127-173	Plate, Vehicle Capacity	53	8	108-59	Lockwasher #10 Int. Tooth Zn
16	2	127-01	Reflector, Red	54	9	103-47	HHCS 10-24 x 1/2
17	1	803-58	Floor Pan, Rear - Avenger	55	1	113-12	Insert, 1/2-13
18	1	127-141	Label, Caution - Keyswitch	56	1	108-35	Washer .53 x 1.06 x .09 Zn
19	1	126-69	Plate, Fuel	57	1	112-151	HHCS 1/2-13 x 1" Gr2 Zn
20	2	127-165	Nameplate - 8x8 Avenger 700	58	1	613-37	Terminal Strip, Ground
	2	127-166	Nameplate - 8x8 Avenger 750	59	13	120-13	Rivet, 3/16 x 3/4 Black
			EFI	60	1	117-10	Locknut, 10-24 N/I Zn
21	2	601-09	Trim, Vinyl - 28"	61	44	120-24	Rivet, 3/32 x 3/8 Alum. (all plates)
22	2	117-91	Receptacle, Q-Turn	62	2	100-114	Gasket, Drain Plug
23	1	602-49	Frame Ass'y, Hood - Front	63	2	117-82	Locknut, Flange 1/4-20 Zn
24	1	801-05	Bumper, Vinyl - 8x8	64	1	602-51	Frame Ass'y, Hood - Rear
25	1	803-59	Floor Pan, Front - Avenger	65	1	127-144	Label, Warning - HOT
26	1	801-50	Body, Lower - Avenger	66	1	128-26	Grommet, 1-1/2ID x 1-3/4x1/4
27	2	100-107	Plug, Drain - Flanged	67	6	120-05	Washer, .19 x .50 x .04 Zn
28	1	104-13	Pin, Toplink - 3/4 x 2.75	68	2	602-52	Clip, Hood - Avenger
29	1	616-16	Hitch Assembly	69	1	616-20	Gasket, Rear Hitch
30	1	616-19	Tube, Hitch	70	1	127-150	Plate, Switch Mounting -3 Hole
31	4	103-61	HHCS 3/8-24 x 1.5 Gr5 Zn	71	2	114-24	Retainer, Q-Turn Washer
32	1	104-11	Pin, Lynch - Ring				
33	6	120-15	Rivet - 1/8 x 7/16				
34	2	602-56	Latch, Hood - Soft Draw				
35	2	112-51	Screw, IHWH T/C #10-24x5/8				
36	27	120-11	Rivet 5/32 x 9/16 - Black				
37	1	613-123	Post, Power, 5/16-18, Red				
38	1	602-47	Hood Kit - Avenger (spec. colour) (incl. 3, 4, 34, 36, 53, 54, 59, 67, 68)				
39	2	117-44	T- Nut 1/4-20 Zn				

8.0 Frame and Drive System

Avenger Parts Manual



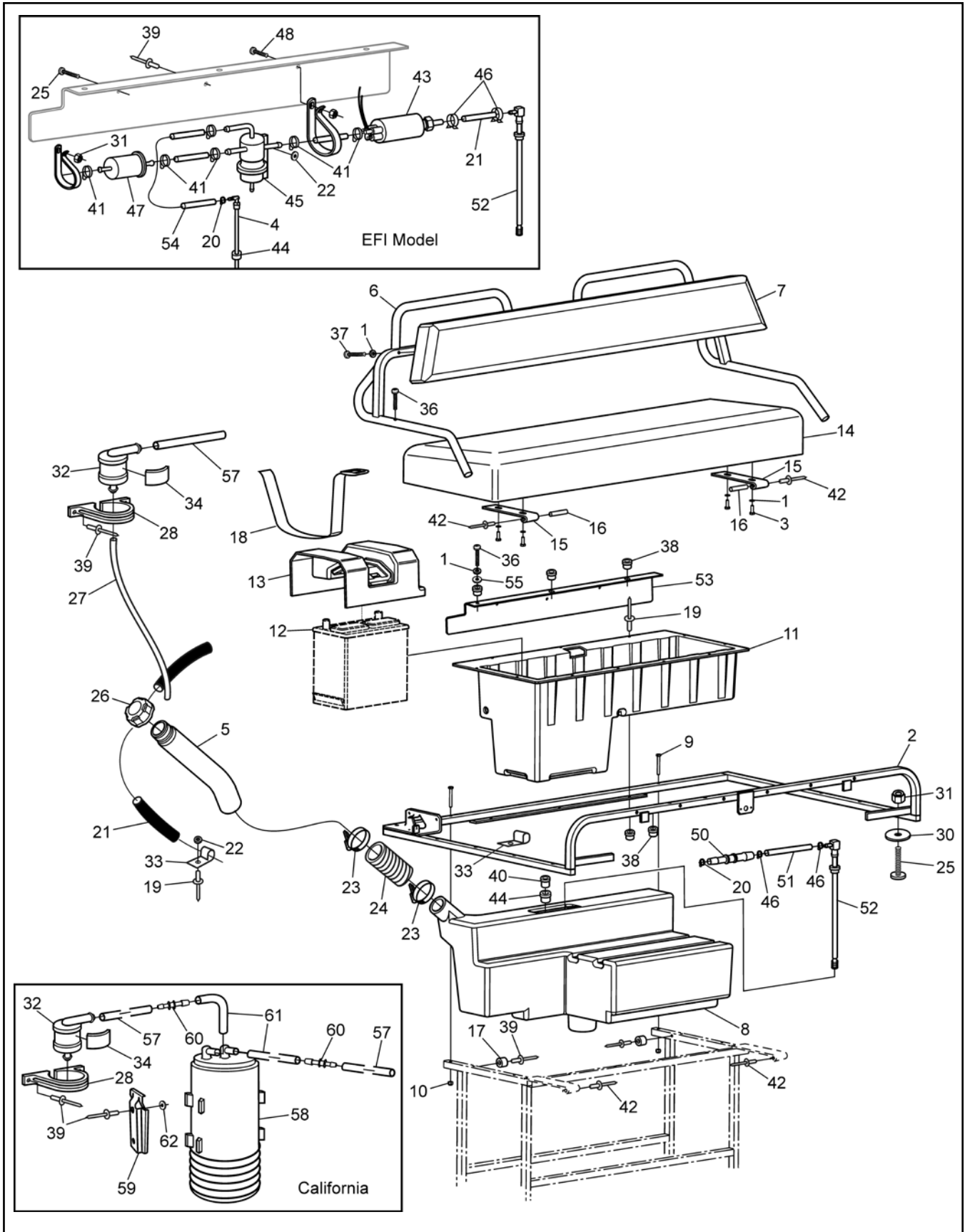
Avenger Parts Manual

8.0 Frame and Drive System

Ref.	Qty.	Part #	Description	Ref.	Qty.	Part #	Description
1	1	804-100	Frame Asm - Avenger	39	6	100-01	Pin, Cotter 1/8 x 1.50 Zn
2	4	606-25	Gasket - Bearing Extension	40	1x4	100-96	Con. Link, RC50-2 H.D.
3	80	117-29	Locknut, Nylon 3/8-16 Zn	41	1x4	603-84	Con. Link, RC60-1 H.D.
4	16	108-46	Washer .40 x 1.37 x .12 Hi-Carbon	42	6	127-65	Spring Torsion - 1.16x0.35
6	8	101-41	Bearing, Ball - 1.0	43	6	606-44	Slider Block
7	80	108-15	Washer, .42 x .81 x .05 Zn	44	6	606-82	Tensioner Asm, Chain
8	35	103-88	C/Bolt 3/8-16 x 1.0 Gr5 Zn	45	6	127-64	Spring, Torsion - .76 x 1.9
9	16	606-90	Gasket, Flange - 72mm	46	4	603-95	Spring Clip - RC 50 Closed
10	12	606-91	Flange - 4 Hole Hd	47	4	603-96	Spring Clip - RC 60 Closed
11	10	606-92	Flange, Greasable - 4 Hole Hd	48	2	606-93	Flange, Greaseable - 90 Deg. Hd
12	4	101-96	Bearing, Ball - 1.25x1.5 No Grv	50	8	101-95	Bearing, Ball - 1.25 x 72mm
13	16	112-187	C-Bolt 3/8-16x2.0 Gr5 Zn	51	16	108-06	Lockwasher 3/8 Split Ring Zn
14	8	606-88	Flange Ass'y, Outer Bearing	53	4	104-35	Pin, Cotter 2mm x 12mm
15	16	103-68	HHCS 3/8-16 x 2.0 Gr5 Zn	54	2	127-188	Link, Con. #60 Lambda
16	4	810-112	Bearing Extension w/nuts	55	4	810-28	Sprocket, Double - 24T
17	20	108-34	Washer .47 x .94 x .06 Zn	56	2	606-43	Slide, Chain - 2-3/4"
18	20	112-181	HHCS 7/16-20 x 1.75 Gr5 Zn	57	8	606-89	Carrier, Axle Bearing
19	5x8	112-183	Stud, Wheel 7/16-20 x 1.5	58	4	107-10	Retaining Ring SH-0125-PA
20	4	810-92	Axle Asm - Front/Rear HD	59	2	642-47	Tie Down Bracket
21	4	810-113	Axle Asm - Mid HD	60	1	613-127	Magnet, Speedometer
22	2	810-59	Shaft, Idler - 11T				
23	2	606-72	Sprocket, Idler S60 x 21T				
24	8	606-34	Sprocket, S60 x 19T				
25	10	112-03	SHSS 5/16-18 x 3/8 1/2 DOG, PL				
26	2	803-62	Chain, RC60-1 x 34P Idler-Lambda				
27	2	112-60	SHSS 1/4-28 x 1/2 Cup Pt.				
28	8	103-88	C/Bolt 3/8-16x1.0 Gr5 Zn				
29	1	112-163	HHCS 3/8-16 x 2.0 Gr5 Zn				
30	4	112-61	C/Bolt 3/8-16 x 1.25 Gr5 Zn				
31		127-80	Link, Half - RC60 - 1 (opt.)				
32	2	803-55	Chain, RC50-2 x 46P-Front (incl. Ref. 40)				
33	2	803-56	Chain, RC50-2 x 74P-Mid (incl. Ref. 40)				
34	4	803-57	Chain, RC60-1 x 90P-Rear (incl. Ref. 41)				
35	5x8	117-35	Nut, Wheel 7/16-20 Zn				
36	8	125-26	Valve, Tire				
37	8	127-61B	Rim - 10 x 9 - Black				
38	8	127-182	Tire, Argo 25x12-9				

9.0 Fuel System & Seat Assembly

Avenger Parts Manual

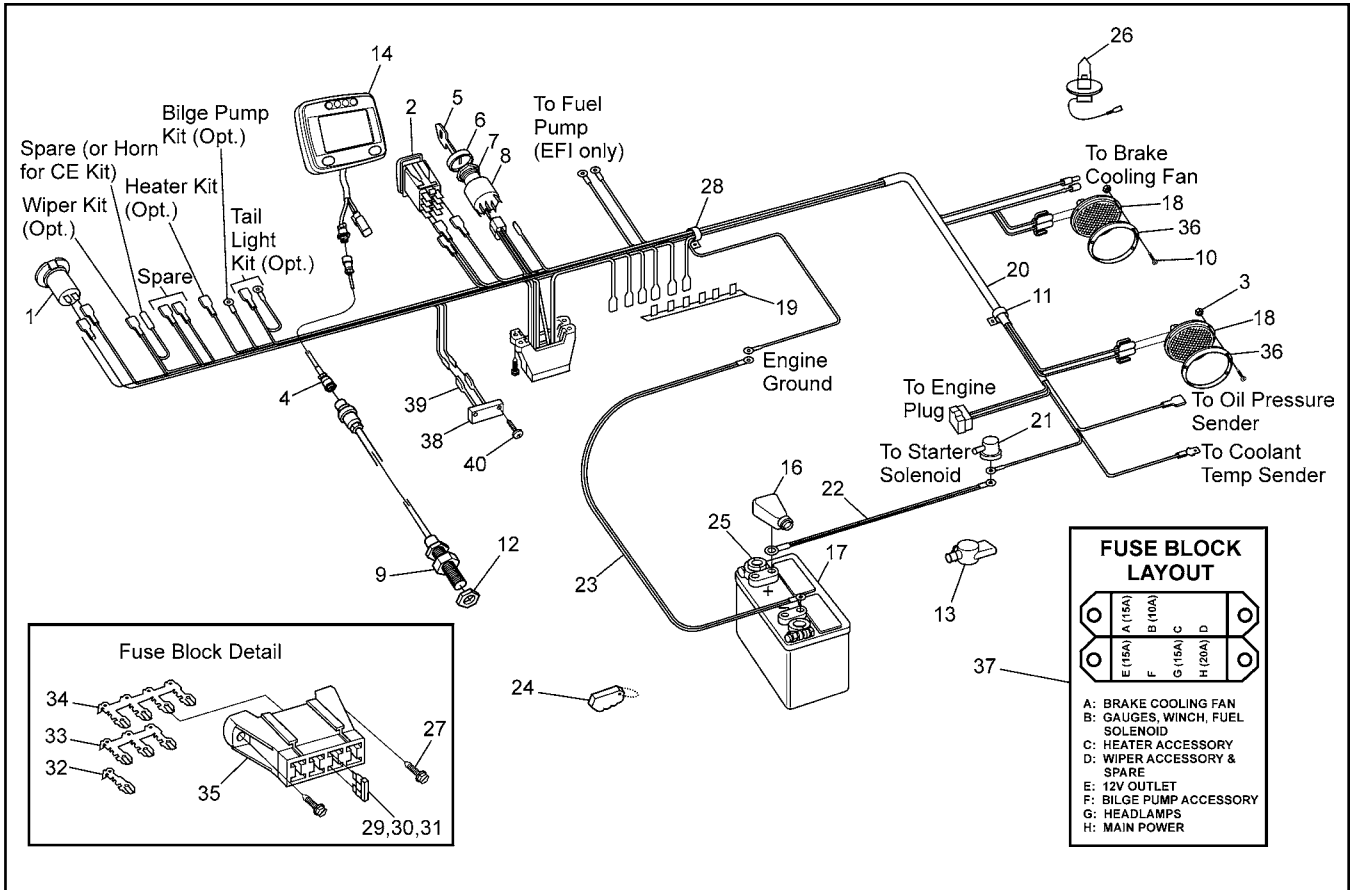


Avenger Parts Manual 9.0 Fuel System & Seat Assembly

Ref.	Qty.	Part #	Description	Ref.	Qty.	Part #	Description
1	11	108-03	Lockwasher 1/4 Split Ring Zn	48	1	103-25	PHMS, 10-24 x 3/4 Zn
2	1	608-61	Frame Assembly, Seat EFI	50	1	808-133	Reducer, 5/16" to 1/4" Barbed
	1	608-96	Frame Assembly, Seat - Avg. Carb	51	2"	608-69RM	Hose, Fuel - 5/16" ID Carb
3	4	112-04	HHCS 1/4-20x3/4 Gr2 Zn	52	1	608-127	Pick-up, Fuel, 5/16 105 Mesh
4	1	608-138	Return, Fuel Port	53	1	601-122	Bracket, Support Body Upper Fuel
5	1	608-140	Fuel, Fill Neck Assembly	54	1	608-66	Hose, Fuel 1/4" ID, 80"
6	1	608-76	Frame Assembly, Backrest	55	3	108-08	Washer .28 x .62 x .07 Zn
7	1	608-39	Back Pad Assembly				United States Vehicle Kit
8	1	608-122	Tank, Fuel Single Layer	8	1	608-120	Tank, Fuel Low Permeation
	1	608-120	Tank, Fuel Low Permeation (for U.S.)		1	127-273	Plate, Serial Blank Double
9	2	103-77	HHCS, 1/4-28 x 2.0		1	127-274	Label, U.S EPA EVAP Approval
10	2	117-01	Locknut, Nylon 1/4-28 Zn	56	2	120-24	Rivet, Alum - 3/32 x 3/8 Black
11	1	608-54	Toolbox				California Vehicle Kit
12	1	127-54	See Section 10.0 Electrical System	8	1	608-120	Tank, Fuel Low Permeation
13	1	608-55	Cover, Battery		1	127-273	Plate, Serial Blank Double
14	1	608-88	Seat Assembly, Bench - Thick		1	127-274	Label, U.S EPA EVAP Approval
15	2	608-81	Hinge, Seat, Bolted	39	2	120-13	Rivet - 3/16 x 3/4 Black
16	2	104-43	Pin, 3/16" x 1-1/8"	56	4	120-24	Rivet, Alum - 3/32 x 3/8 Black
17	2	126-102	Bumper, Recessed Hole		1	127-275	Label, Carb EVAP Approval
18	1	608-56	Strap, Battery	57	1	126-101RM	Hose, Vent 3/16" ID
19	17	120-09	Rivet 3/16x1 - Black	58	1	609-45	Carbon Canister 800cc
20	4	112-79	Clamp, Hose, 1/2" - Black	59	1	609-46	Bracket, Carbon Canister
21	1	608-69	Hose, Fuel 5/16" ID x 7.5' - Carb	60	2	609-48	Reducer, Barbed 1/4" to 3/16"
22	9	120-04	Washer .19 x .50 x .08 Zn	61	2	127-160-3	Hose, 1/4ID x 3/8OD - 3" Long
23	2	100-12	Clamp, Gear 2.25" HF-36	62	2	120-05	Washer .19x.50x.04 Zn
24	1	125-94	Hose, Filler				
25	11	112-07	RHMS 10-24 x 1.50 Zn				
26	1	126-100	Fuel Cap, Tethered				
27	6'	127-160RM	Tubing, 1/4 ID Clear Plastic				
28	1	609-50	Clamp, Rollover Valve				
30	10	108-42	Washer .21 x 1.0x.06 Zn				
31	14	117-10	Locknut, Nylon #10-24 Zn				
32	1	609-47	Valve, Rollover				
33	7	126-93	Clamp, Nylon Wire - 1/2" ID				
34	1	126-80	Vinyl Strip 1/2" x 1/4"				
36	5	112-41	PHMS, Phil 1/4-20 x 1.25 Zn				
37	4	103-03	PHMS, Phil 1/4-20 x 1.50 Zn				
38	5	117-64	Insert, 1/4-20 Steel Cad Pltg.				
39	33	120-13	Rivet, 3/16 x 3/4 Black				
40	1	608-137	Plug, Push-In				
41	7	100-101	Clamp, Gear 1/2" HF or MH-4				
42	4	120-31	Rivet, 3/16" x 1/4, Open End				
43	1	24 393 52	Fuel Pump, EFI				
44	1	608-136	Grommet, Fuel Return				
45	1	24 403 16	Regulator, Fuel Pressure				
46	2	112-78	Clamp, Hose, 9/16				
47	1	24 050 03	Filter, Fuel Line - EFI - c/w engine				

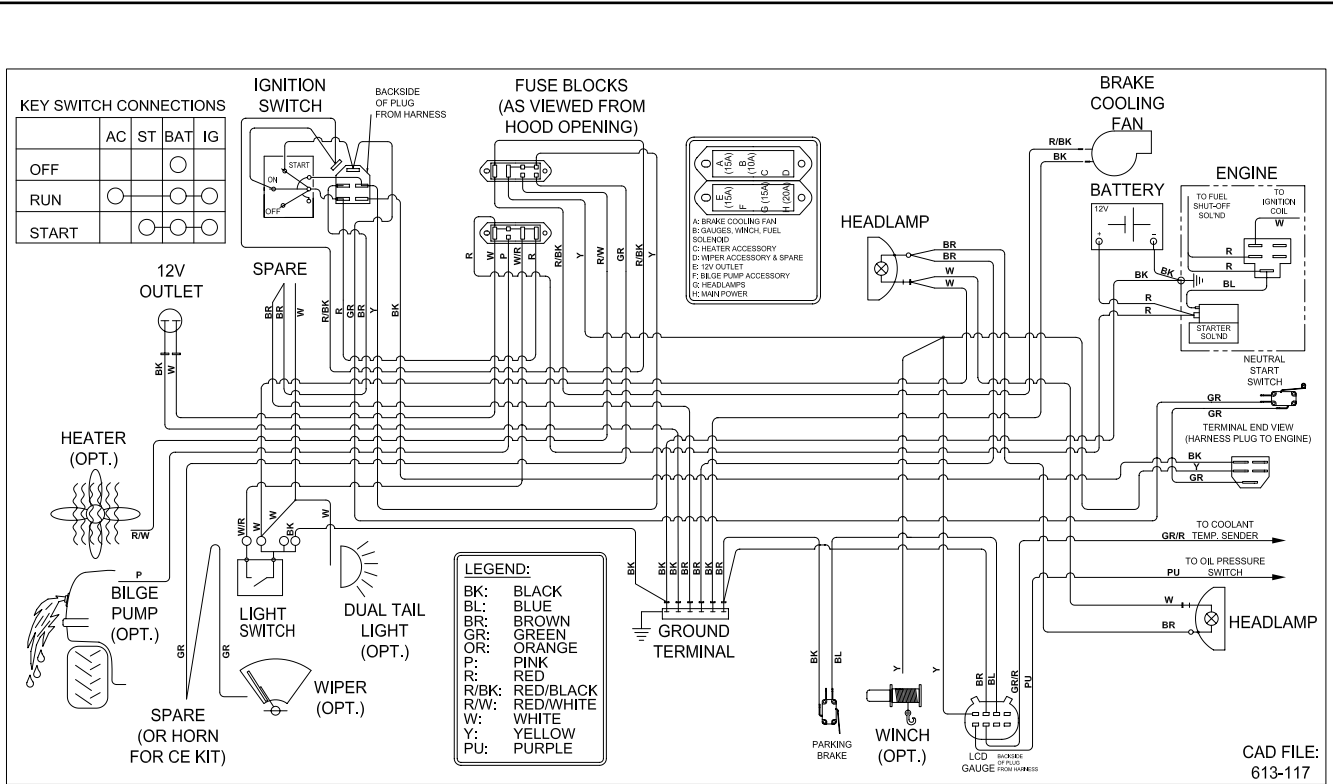
10.0 Electrical System

Avenger Parts Manual

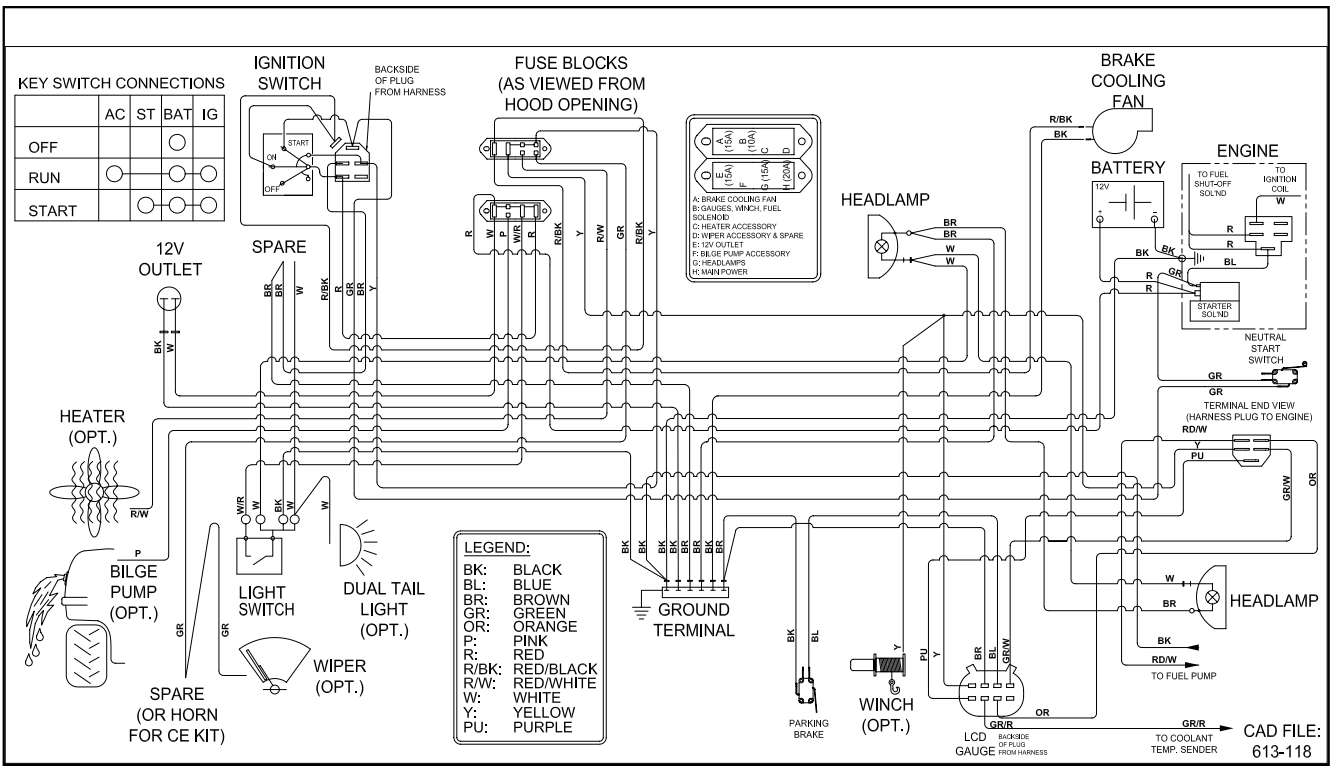


Ref.	Qty.	Part #	Description
1	1	613-90	Outlet, 12 Volt DC
2	1	613-153	Switch, Light
3	8	117-93	Nut, Speed #10
4	1	613-128	Cable, Extension, Speedo Pickup
5	2	127-108	Key, Molded
6	1	127-107	Bezel - Cover, Nut
7	1	127-106	Nut, Flanged - Plastic
8	1	127-105	Switch - Ignition
9	1	613-126	Sensor, Speedo Pickup
10	8	112-198	T/S Pan Hd Phil #10 x 1.25 Blk.
11	4	127-24	Clamp, Nylon - 1" ID
12	1	117-87	Nut, M12 x 1.25, Zn
13	1	613-124	Insulator, 2 Way w/cap, Red
14	1	613-130	Gauge, LCD
16	1	127-55	Cap, Battery Terminal - Red
17	1	127-54	Battery, Exide 45-60
18	2	613-159	Headlight 37.5
19	2	613-37	Terminal Strip, Ground
20	1	613-117	Wire Harness, Kohler 25HP
20a	1	613-118	Wire Harness, Kohler 31HP EFI

Ref.	Qty.	Part #	Description
21	1	613-46	Insulator, Terminal (2 ga.)
22	1	613-94	Wire, Positive Battery
23	1	613-95	Wire, Negative Battery
24	1	681-00	FOB, Key - Floating
25	2	127-56	Terminal, Battery Post
26	2	127-46	Bulb, Headlight - Halogen 37W
27	2	112-51	Screw, IHWH T/C #10-24 x 5/8
28	4	126-93	Clamp, Nylon Wire - 1/2" ID
29	1	118-52	Fuse, 10A 2 Prong (AT010)
30	3	118-49	Fuse, 15A 2 Prong (AT015)
31	1	118-53	Fuse, 20A 2 Prong (AT020)
32	9	118-62	Terminal - Fuse, single
33	1	118-63	Terminal - Fuse, triple
34	1	118-61	Terminal - Fuse, quad
35	2	118-60	Block - Fuse, 8 position (4 fuse)
36	2	613-152	Bezel, Headlamp
37	1	127-143	Label, Fuse Panel - Kohler
38	1	613-99	Light, Shifter Illumination
39	2	118-69	Terminal, 3/16 Male Blade 22 Ga
40	2	112-139	OHPS T/S #4 x 5/8 Black Zn



EFI Models



ARGO Products Manufactured by:

Ontario Drive & Gear Limited

220 Bergey Court

New Hamburg, Ontario

Canada N3A 2J5

Phone: (519) 662-2840

Fax: (519) 662-2421

www.argoatv.com

ODG *Dedicated to quality and performance*